



US00D815151S

(12) **United States Design Patent**  
**Layton**

(10) **Patent No.:** **US D815,151 S**  
(45) **Date of Patent:** **\*\* Apr. 10, 2018**

(54) **DIESEL ENGINE FUEL FILTER MOUNTING BRACKET**

(71) Applicant: **Jim Layton**, Wilcox, AZ (US)

(72) Inventor: **Jim Layton**, Wilcox, AZ (US)

(\*\*) Term: **15 Years**

(21) Appl. No.: **29/583,977**

(22) Filed: **Nov. 10, 2016**

(51) **LOC (11) Cl.** ..... **15-01**

(52) **U.S. Cl.**  
USPC ..... **D15/5**

(58) **Field of Classification Search**  
USPC ..... D15/1, 2, 3, 4, 5; D8/349, 354, 355,  
D8/363, 366, 371, 373, 380, 381, 382,  
D8/499; D12/223; D25/68  
CPC .... B01D 2201/4023; B01D 2201/4038; B01D  
2201/40; B01D 35/306; B01D 35/308  
See application file for complete search history.

(56) **References Cited**

**U.S. PATENT DOCUMENTS**

D59,397 S \* 10/1921 Wilson ..... D15/5  
RE16,093 E \* 6/1925 Wilson ..... D15/143

D268,093 S \* 3/1983 Wenczl ..... D8/381  
D378,749 S \* 4/1997 Miller ..... D12/223  
D394,632 S \* 5/1998 Miller ..... D12/223  
D398,283 S \* 9/1998 Miller ..... D12/223  
D616,287 S \* 5/2010 Lavoie ..... D8/354  
D672,287 S \* 12/2012 Noble ..... D12/159  
9,284,031 B1 \* 3/2016 Pelini ..... B63H 20/06  
2016/0153411 A1 \* 6/2016 Underwood ..... F02M 37/22  
248/213.2

\* cited by examiner

*Primary Examiner* — T. Chase Nelson

*Assistant Examiner* — Ania Aman

(74) *Attorney, Agent, or Firm* — Steve M. McLary;

Jeffrey D. Myers; Peacock Law P.C.

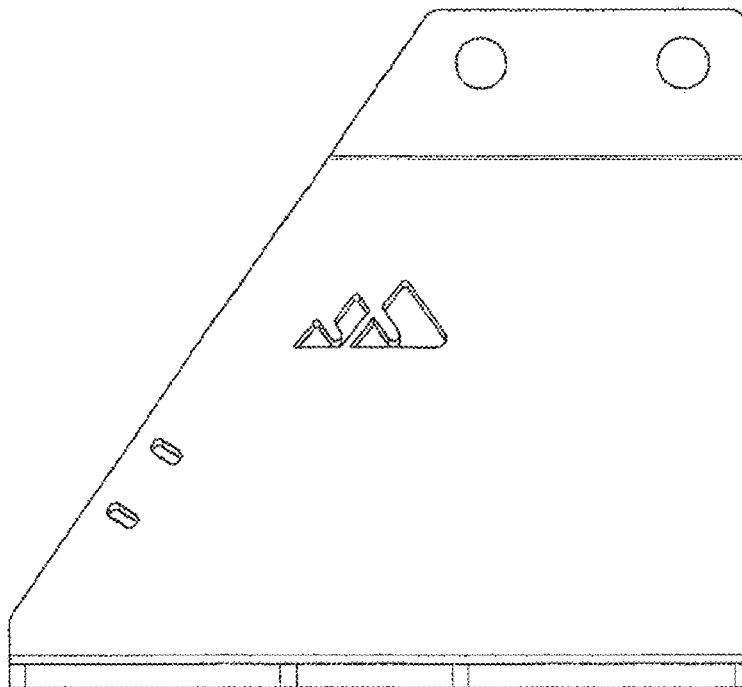
(57) **CLAIM**

The ornamental design for a diesel engine fuel filter mounting bracket, as shown and described.

**DESCRIPTION**

FIG. 1 is an elevation view of the diesel engine fuel filter mounting bracket showing my new design;  
FIG. 2 is a top view thereof;  
FIG. 3 is an end view thereof;  
FIG. 4 is an elevation view of a blank thereof; and,  
FIG. 5 is an end view of FIG. 4.

**1 Claim, 2 Drawing Sheets**



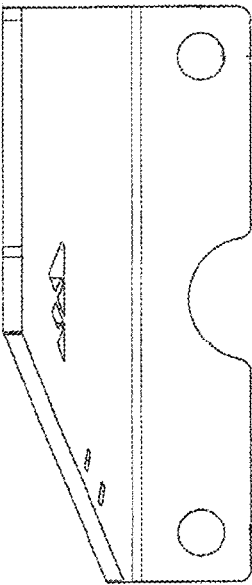


FIG. 2

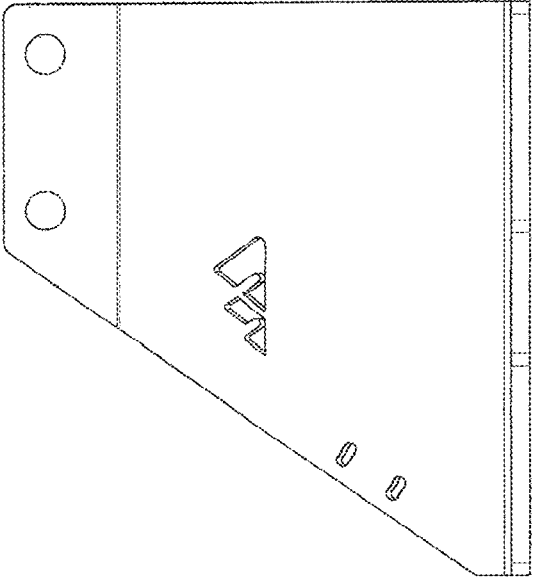


FIG. 1

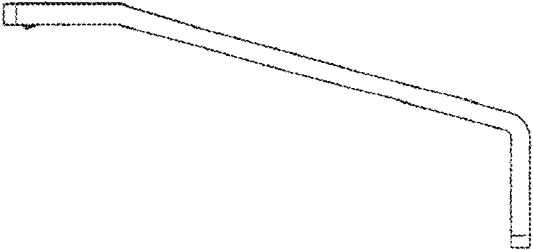


FIG. 3

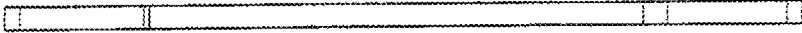


FIG. 5

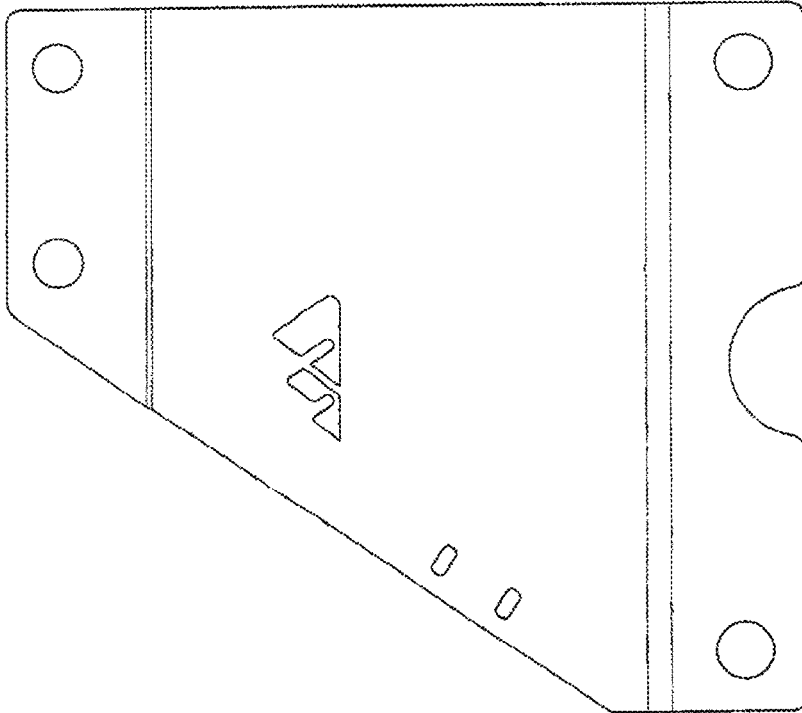


FIG. 4