



(12) **United States Design Patent**
Zock

(10) **Patent No.:** **US D737,703 S**
(45) **Date of Patent:** **** Sep. 1, 2015**

(54) **PARTICLE ANALYZER**

- (71) Applicant: **Intellicyt Corporation**, Albuquerque, NM (US)
- (72) Inventor: **Joseph M. Zock**, Rio Rancho, NM (US)
- (73) Assignee: **Intellicyt Corporation**, Albuquerque, NM (US)
- (**) Term: **14 Years**
- (21) Appl. No.: **29/517,843**
- (22) Filed: **Feb. 17, 2015**

Related U.S. Application Data

- (63) Continuation of application No. 29/459,799, filed on Jul. 3, 2013, now Pat. No. Des. 722,515.
- (51) **LOC (10) Cl.** **10-04**
- (52) **U.S. Cl.**
USPC **D10/81; D10/97; D10/103; D24/216; D24/232**
- (58) **Field of Classification Search**
USPC D10/46, 75, 81, 97; D24/107, 158, 169, D24/185, 186, 216, 232–234
CPC G01N 2015/006–2015/1461; G01N 15/10–15/1463; G01N 15/02–15/06; G01N 15/00; G01N 2035/0091; G01N 2035/00435; G01N 2035/00752; G01N 15/0211; G01N 35/08; G01N 35/00; G01N 35/1074; G01N 35/1095

See application file for complete search history.

(56) **References Cited**

U.S. PATENT DOCUMENTS

- D722,515 S 2/2015 Zock
 - D728,120 S * 4/2015 Kram et al. D24/216
- * cited by examiner

Primary Examiner — Antoine D Davis
(74) *Attorney, Agent, or Firm* — Peacock Myers, P.C.; Janeen Vilven

(57) **CLAIM**

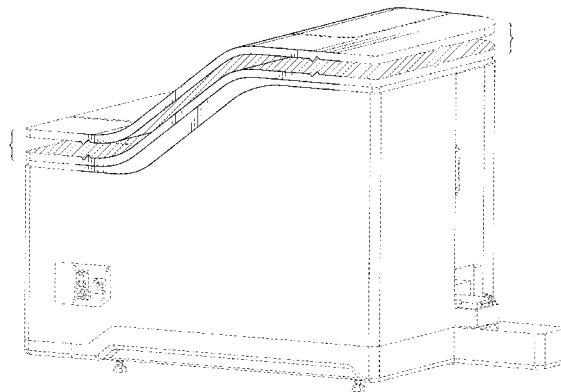
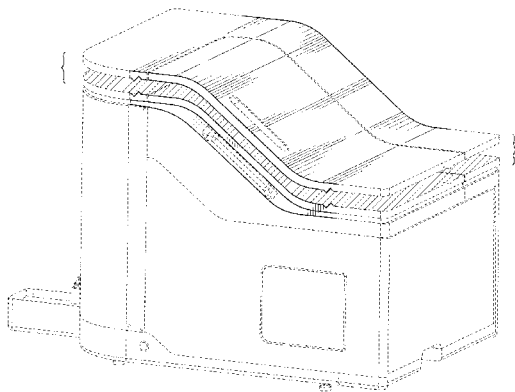
The ornamental design for a particle analyzer, as shown and described.

DESCRIPTION

FIG. 1 is a perspective view of the particle analyzer showing our new design;
 FIG. 2 is a front view thereof;
 FIG. 3 is a back view thereof;
 FIG. 4 is a left side view thereof;
 FIG. 5 is a right side view thereof;
 FIG. 6 is a top plan view thereof;
 FIG. 7 is a bottom plan view thereof;
 FIG. 8 is a left front perspective view thereof;
 FIG. 9 is a left front perspective view thereof; and,
 FIG. 10 is a left back perspective view thereof.

The broken line shows environmental structure of the particle analyzer and forms no part of the claimed design. The article is shown with a symbolic break in its width. The appearance of any portion of the article between the break lines forms no part of the claimed design.

1 Claim, 10 Drawing Sheets



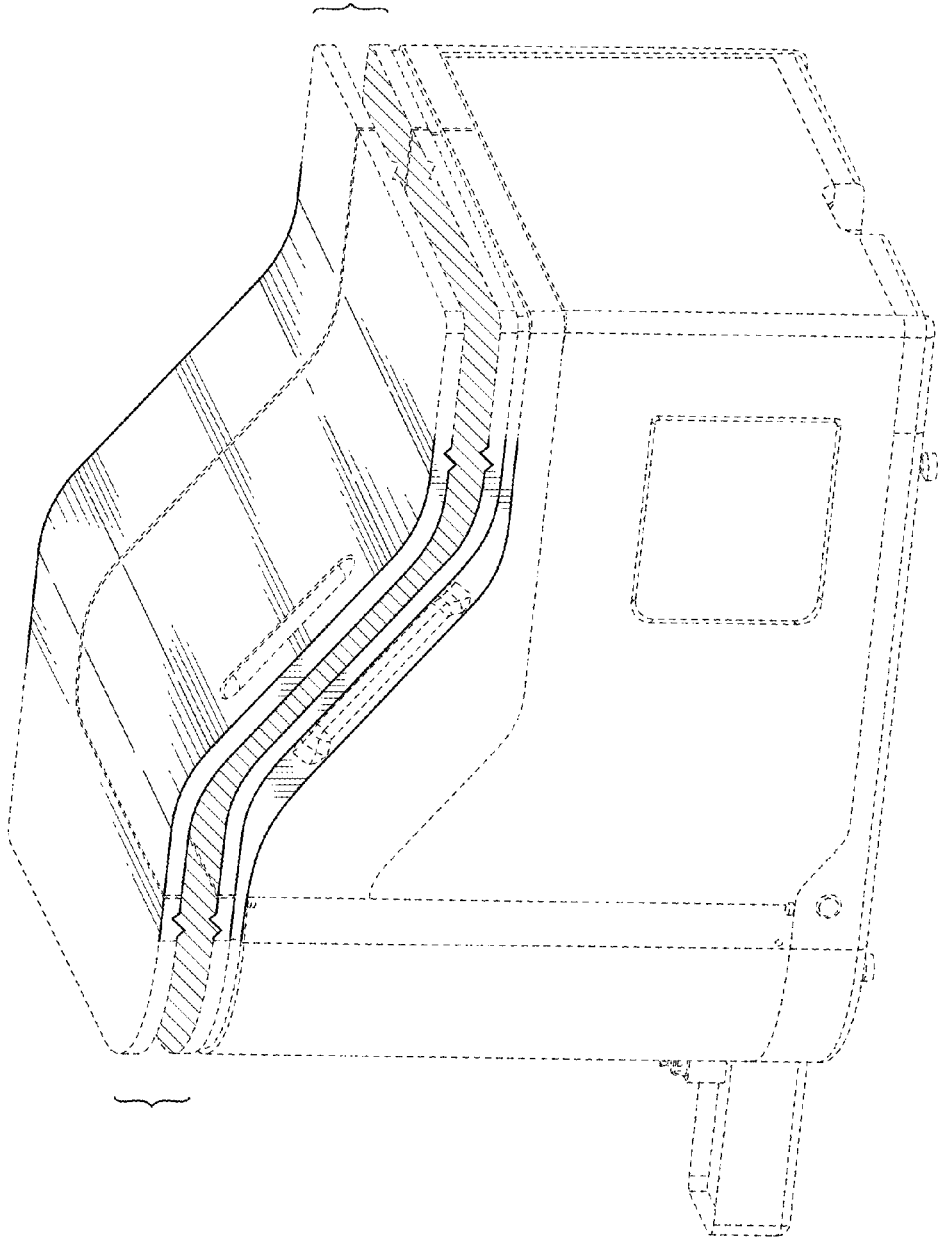


FIG. 1

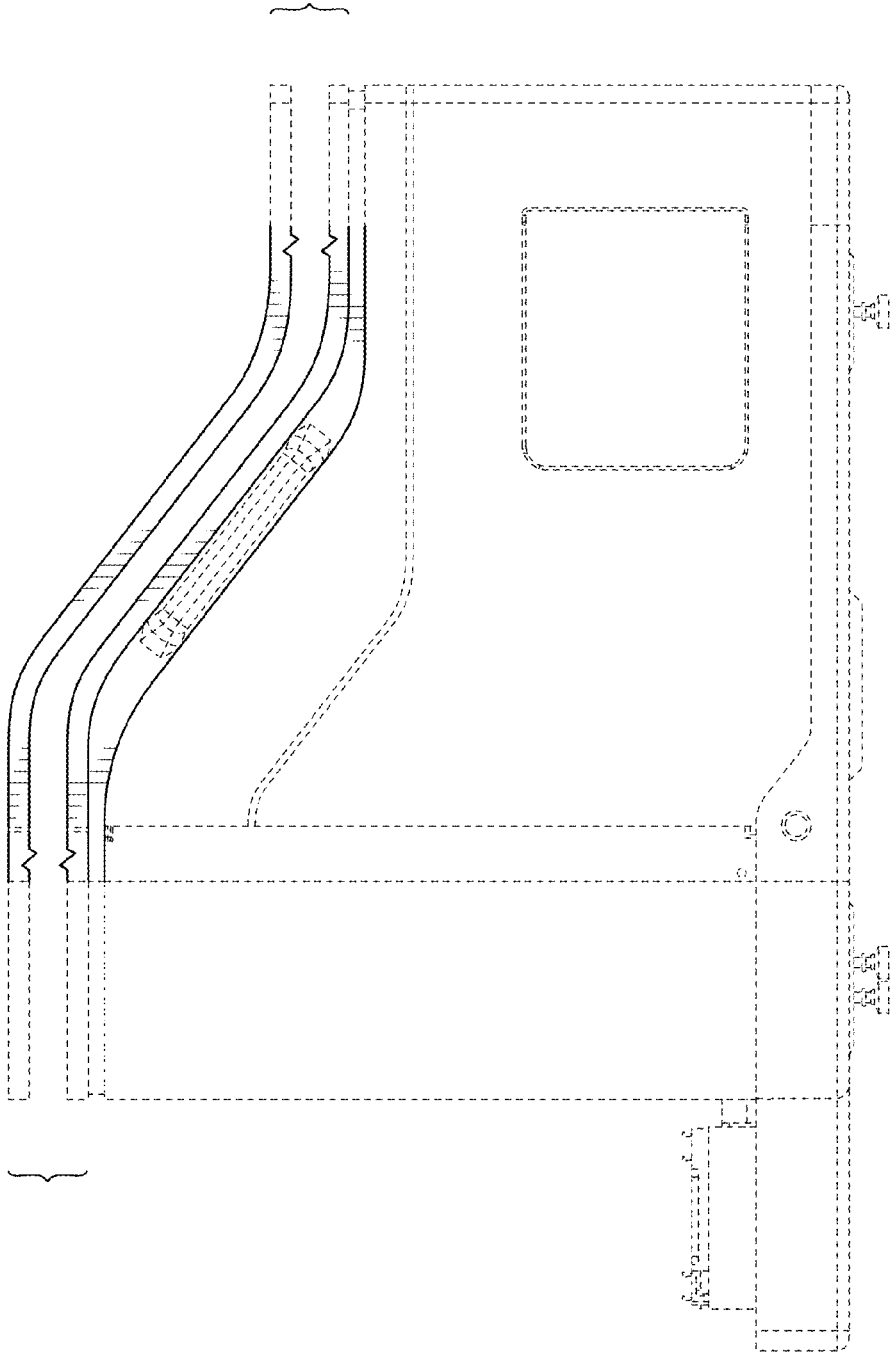


FIG. 2

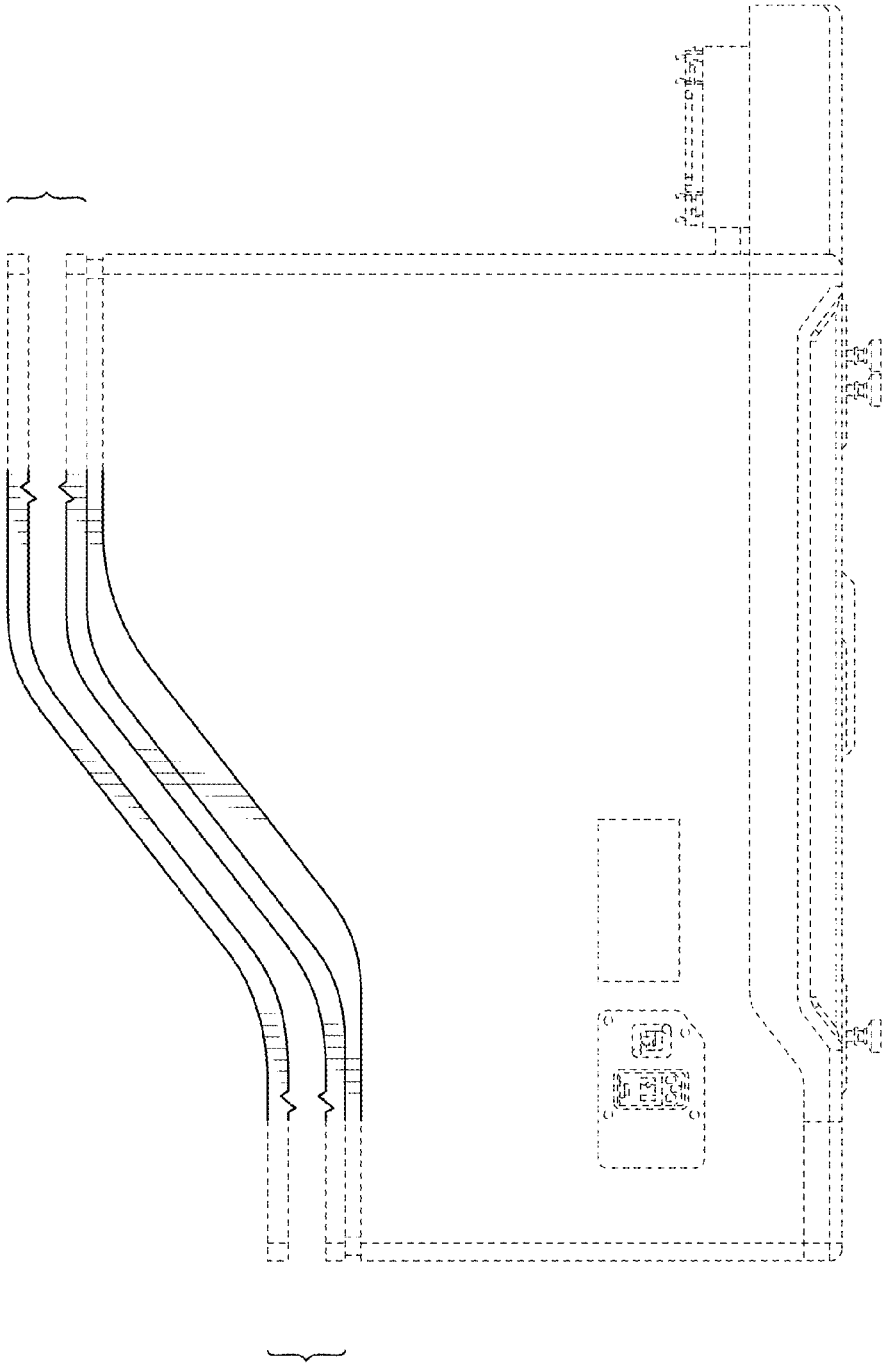


FIG. 3

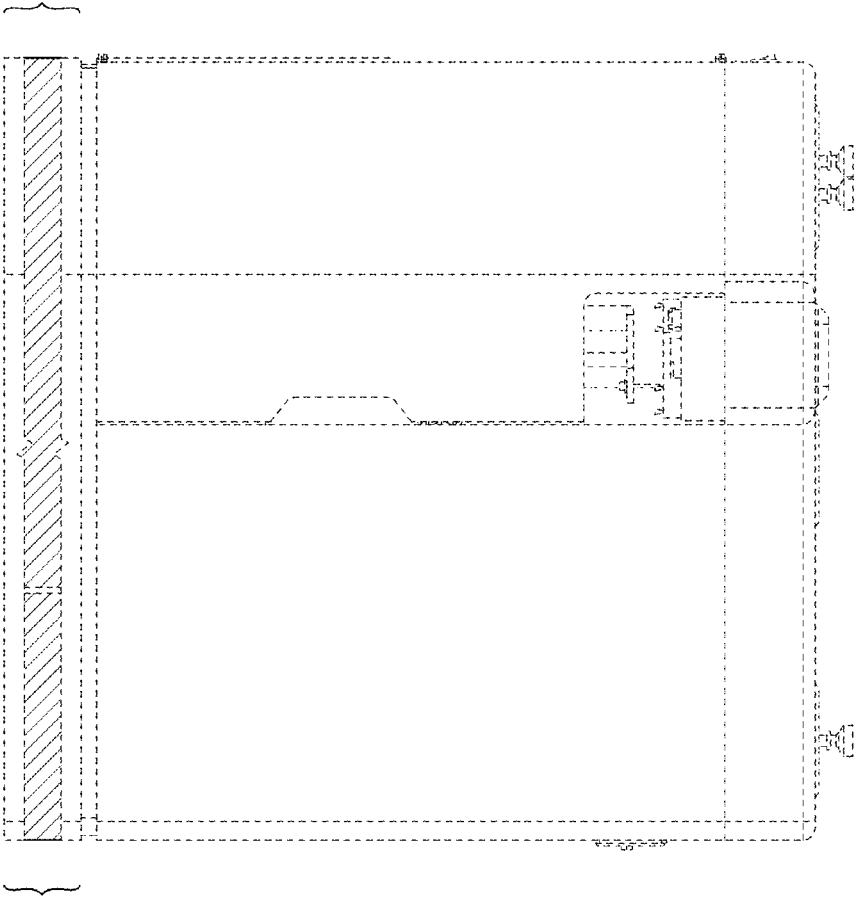


FIG. 4

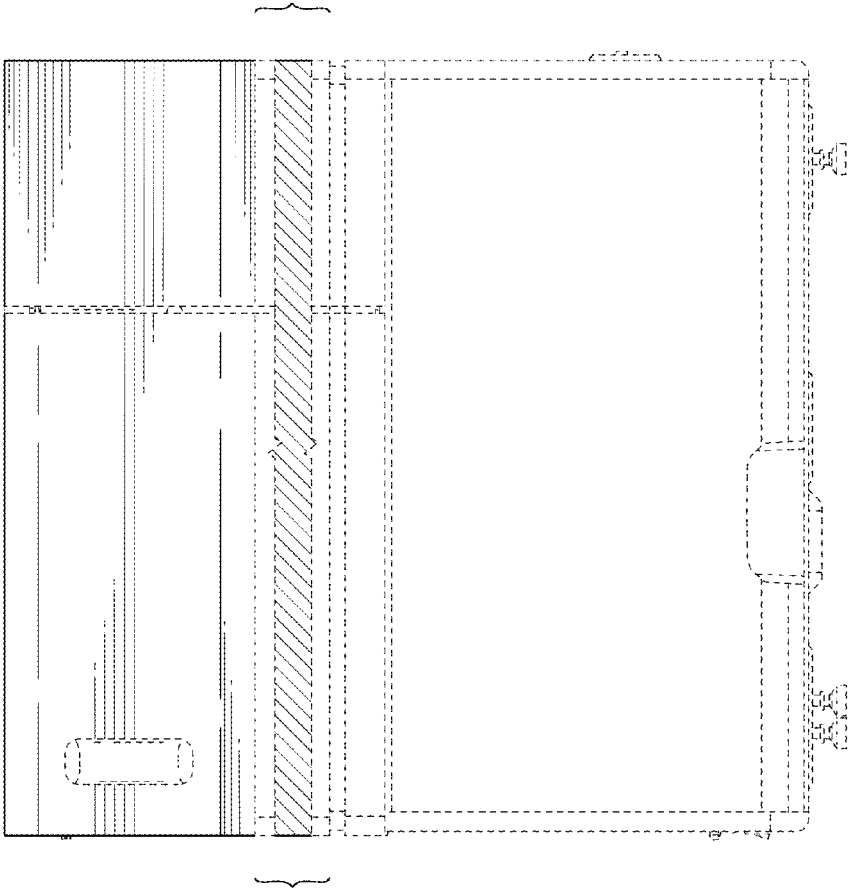


FIG. 5

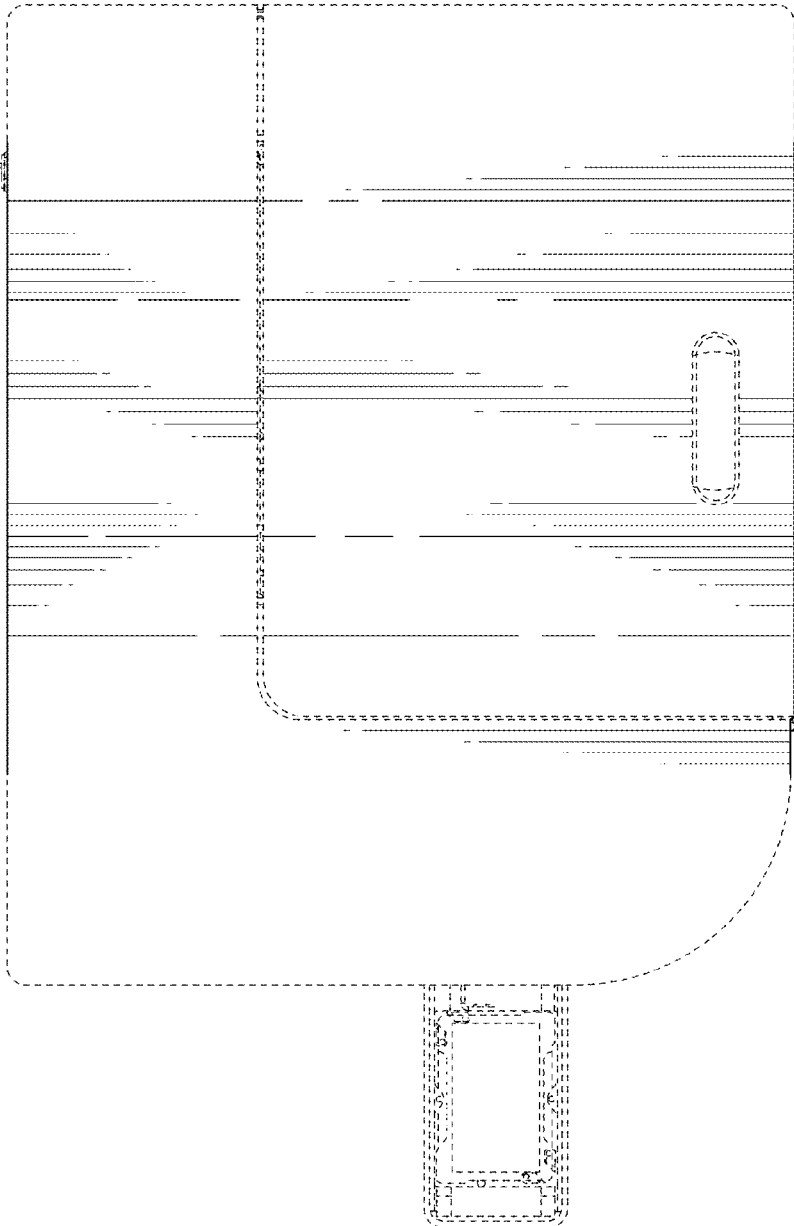


FIG. 6

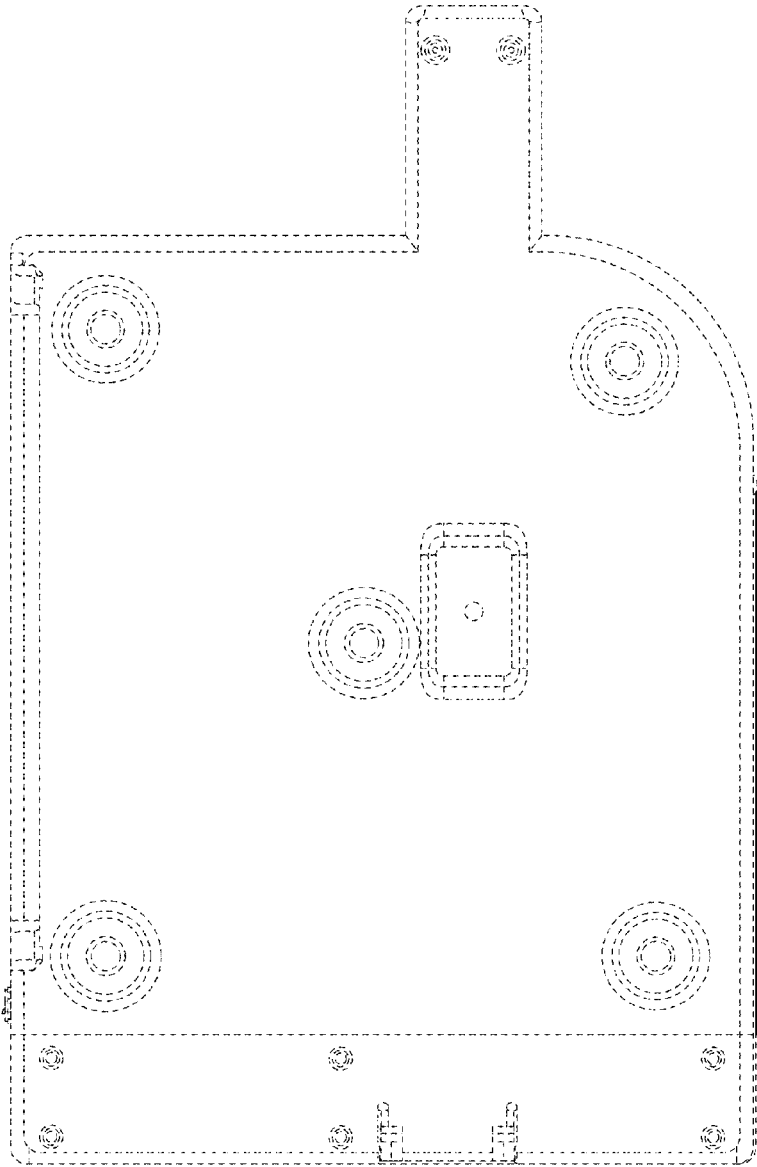


FIG. 7

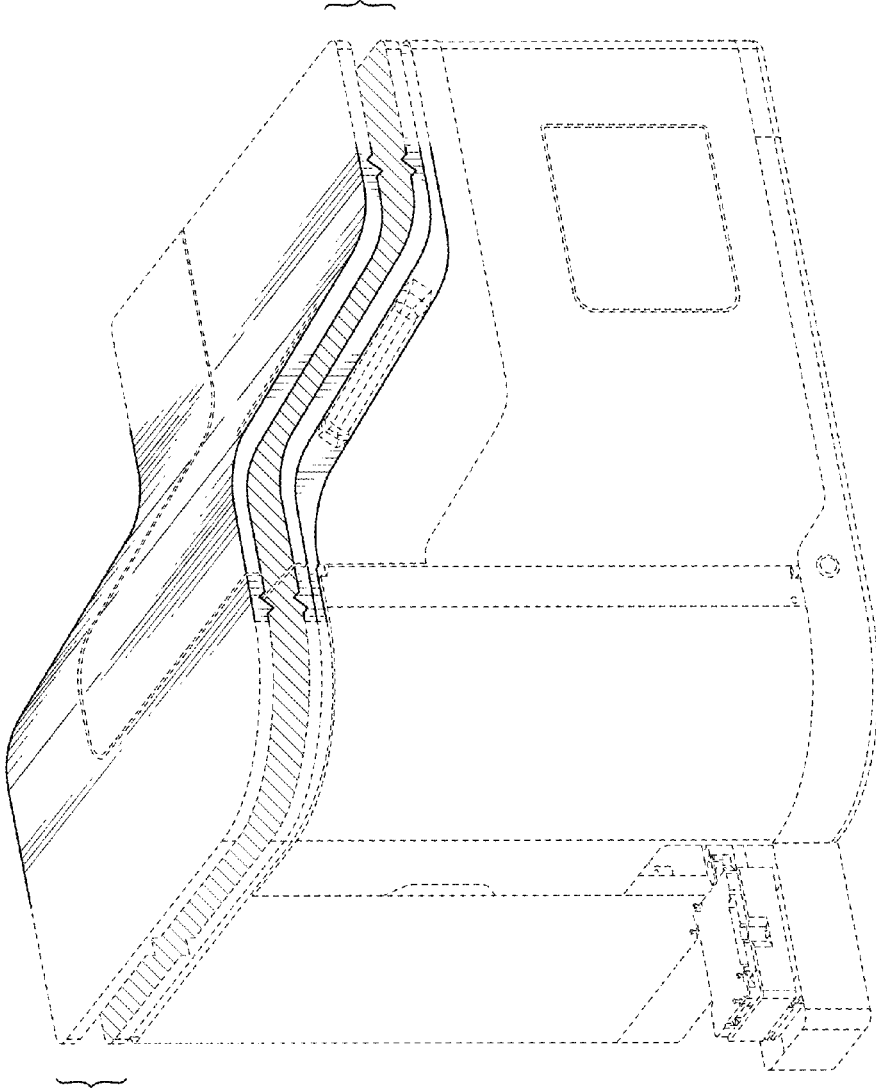


FIG. 8

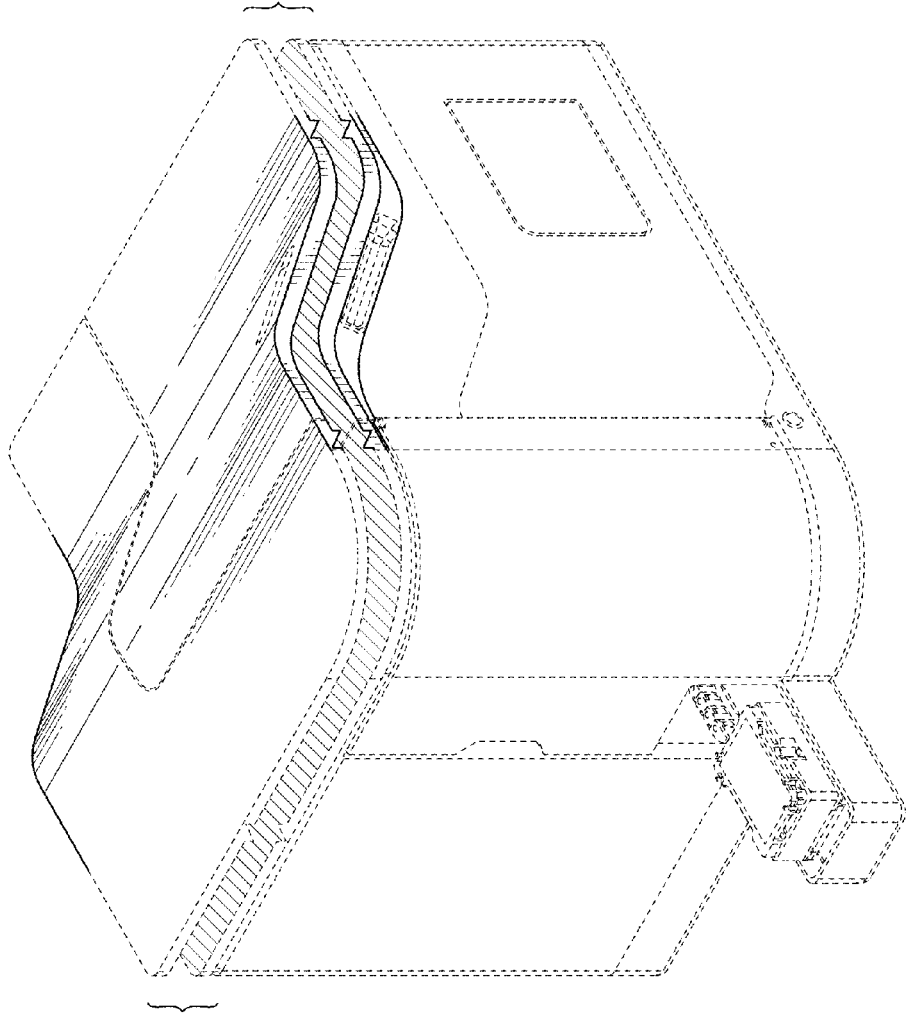


FIG. 9

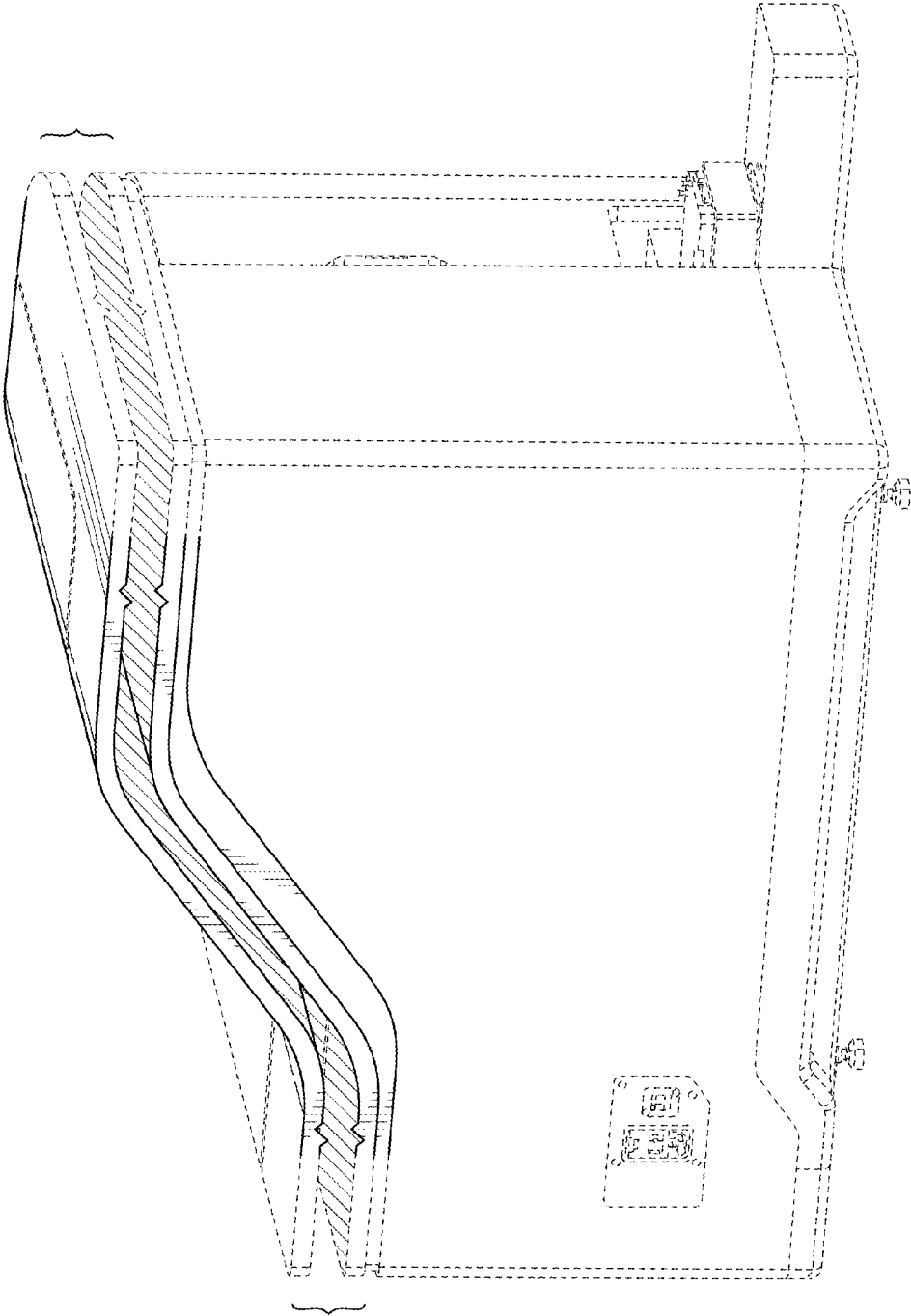


FIG. 10