



US00D722515S

(12) **United States Design Patent**  
**Zock**

(10) **Patent No.:** **US D722,515 S**

(45) **Date of Patent:** **\*\* Feb. 17, 2015**

(54) **PARTICLE ANALYZER**

(71) Applicant: **Intellicyt Corporation**, Albuquerque, NM (US)

(72) Inventor: **Joseph M. Zock**, Rio Rancho, NM (US)

(73) Assignee: **Intellicyt Corporation**, Albuquerque, NM (US)

(\*\*) Term: **14 Years**

(21) Appl. No.: **29/459,799**

(22) Filed: **Jul. 3, 2013**

(51) **LOC (10) Cl.** ..... **10-04**

(52) **U.S. Cl.**  
USPC ..... **D10/81**; D10/97; D24/216; D24/232

(58) **Field of Classification Search**  
CPC ..... G01N 2015/1006–2015/1461; G01N 15/10–15/1463; G01N 15/02–15/06; G01N 2015/0003–2015/0096; G01N 15/00; G01N 2035/0091; G01N 2035/00435; G01N 2035/00752; G01N 15/0211; G01N 35/08; G01N 35/00; G01N 35/1074; G01N 35/1095  
USPC ..... D10/46, 75, 81, 97; D24/107, 158, 169, D24/185, 186, 216, 232–234  
See application file for complete search history.

(56) **References Cited**

**U.S. PATENT DOCUMENTS**

7,456,959 B2 \* 11/2008 Nakayama et al. .... 356/336  
D644,544 S \* 9/2011 Yukikado ..... D10/81  
D665,917 S \* 8/2012 TerMaat et al. .... D24/216

8,669,097 B2 \* 3/2014 Kawashima ..... 435/283.1  
2008/0144916 A1 \* 6/2008 Vent ..... 382/133  
2011/0071039 A1 \* 3/2011 Kumar et al. .... 506/9  
2011/0074451 A1 \* 3/2011 Yamaguchi ..... 324/693  
2011/0102792 A1 \* 5/2011 Ozasa ..... 356/337  
2012/0321513 A1 \* 12/2012 Nagai et al. .... 422/63  
2013/0229168 A1 \* 9/2013 Takeshita ..... 324/71.4  
2014/0293281 A1 \* 10/2014 Yamamoto et al. .... 356/338  
2014/0295450 A1 \* 10/2014 Morita et al. .... 435/6.14

\* cited by examiner

*Primary Examiner* — Antoine D Davis

(74) *Attorney, Agent, or Firm* — Peacock Myers, P.C.; Janeen Vilven

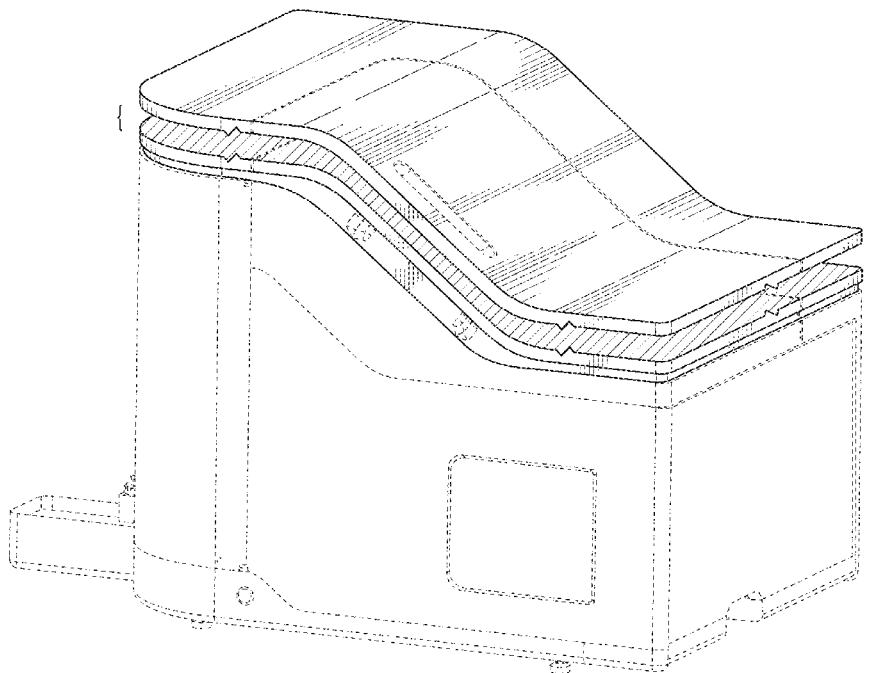
(57) **CLAIM**

The ornamental design for a particle analyzer, as shown and described.

**DESCRIPTION**

FIG. 1 is a perspective view of the particle analyzer showing our new design;  
FIG. 2 is a front view thereof;  
FIG. 3 is a back view thereof;  
FIG. 4 is a left side view thereof;  
FIG. 5 is a right side view thereof;  
FIG. 6 is a top plan view thereof;  
FIG. 7 is a bottom plan view thereof;  
FIG. 8 is a left front perspective view thereof;  
FIG. 9 is a left front perspective view thereof; and,  
FIG. 10 is a left back perspective view thereof.  
The broken line shows environmental structure of the particle analyzer and forms no part of the claimed design. The appearance of a separation and bracket indicate indeterminate thickness.

**1 Claim, 10 Drawing Sheets**



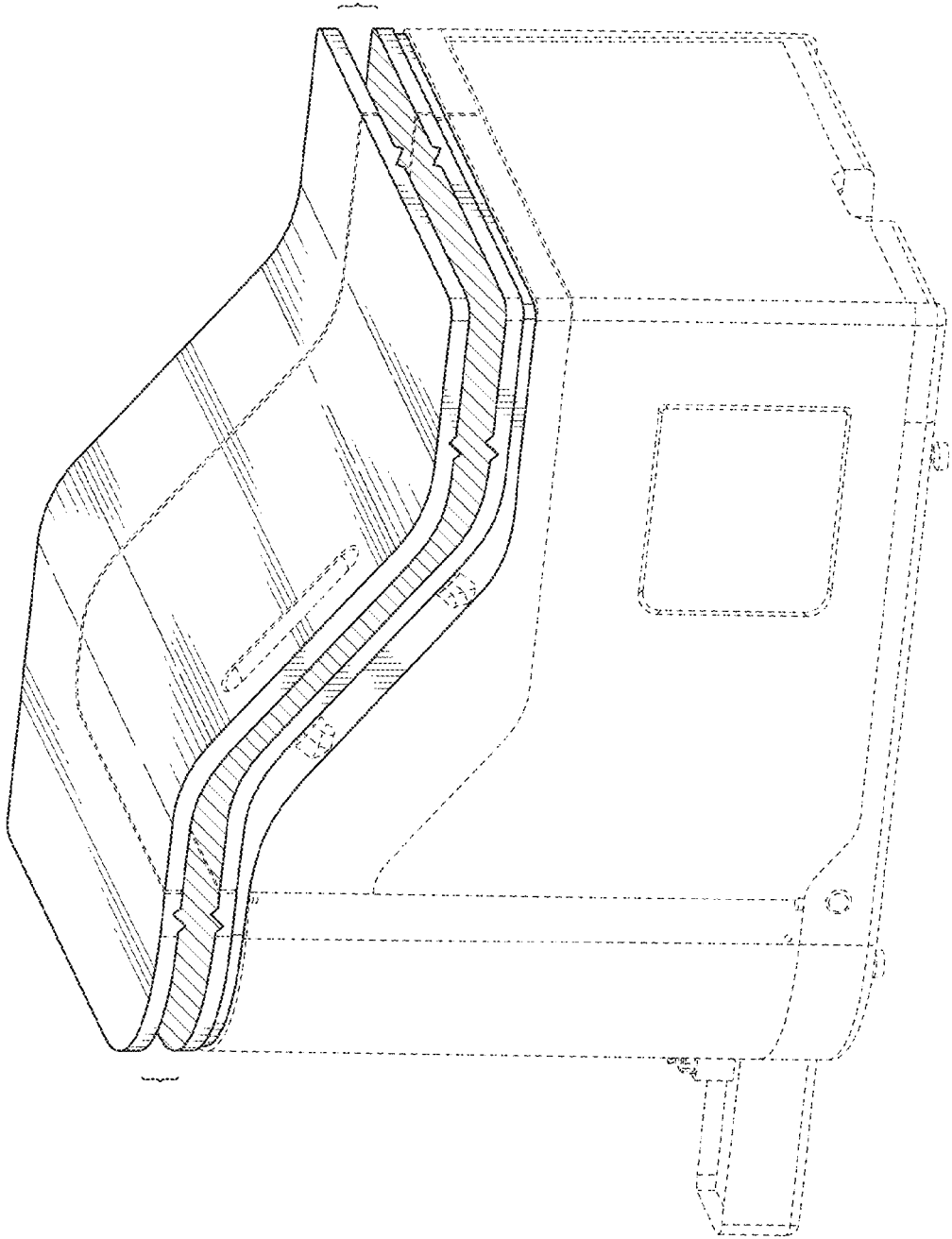


FIG. 1

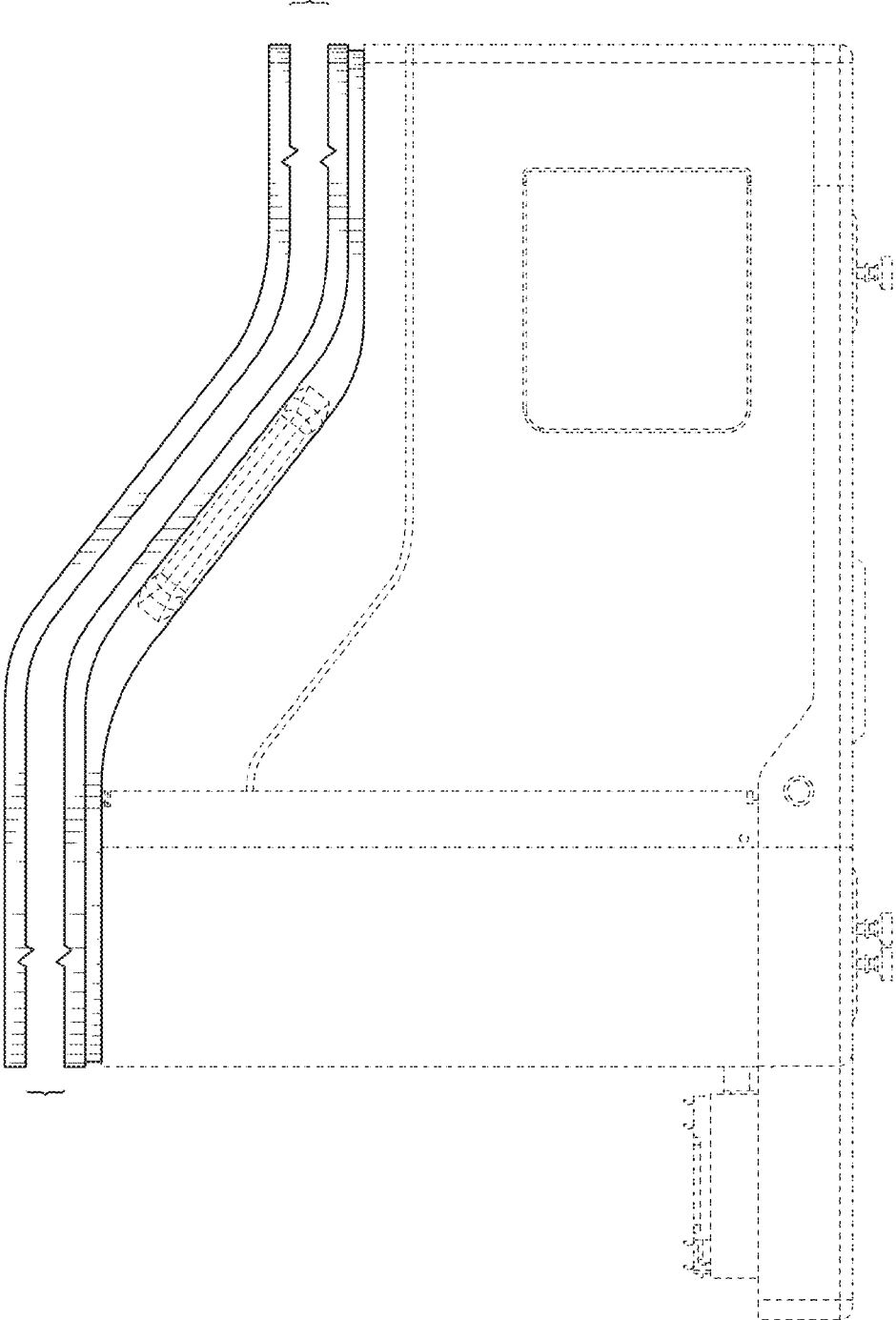


FIG. 2

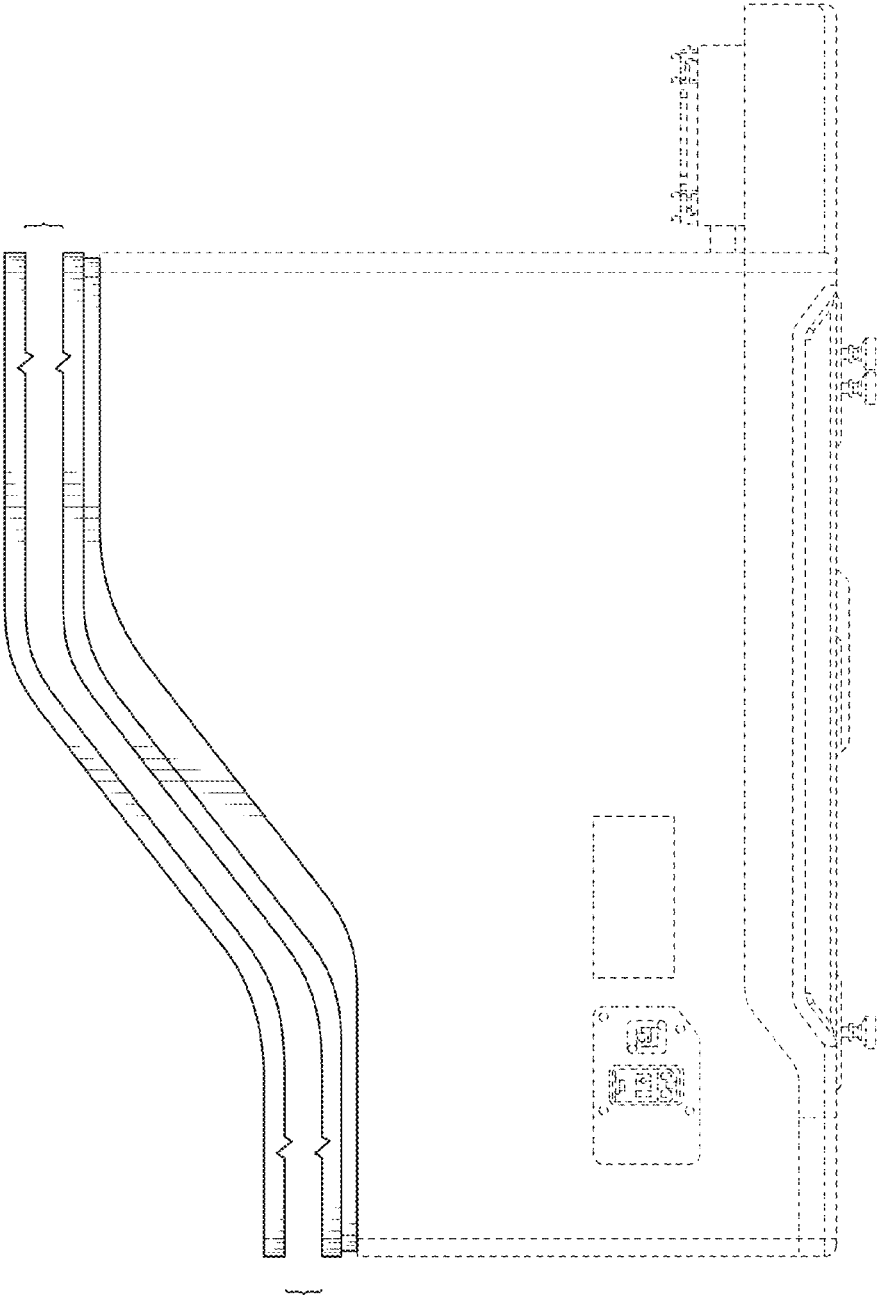


FIG. 3

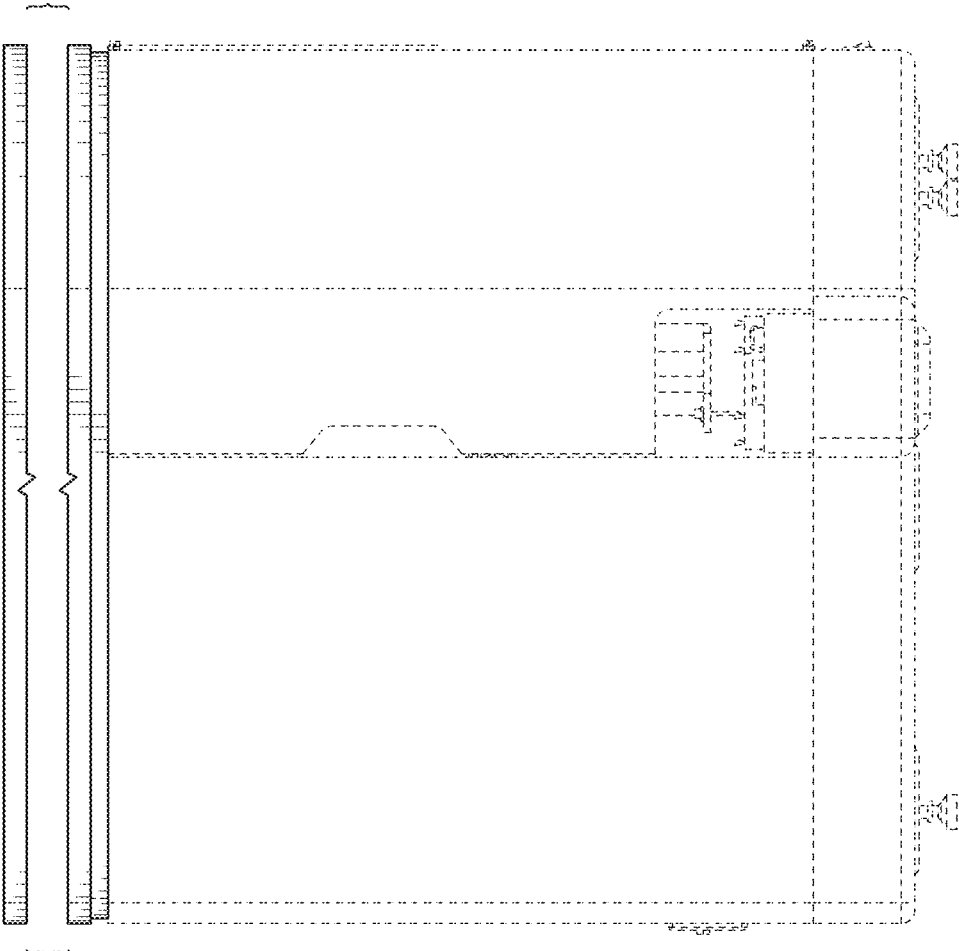


FIG. 4

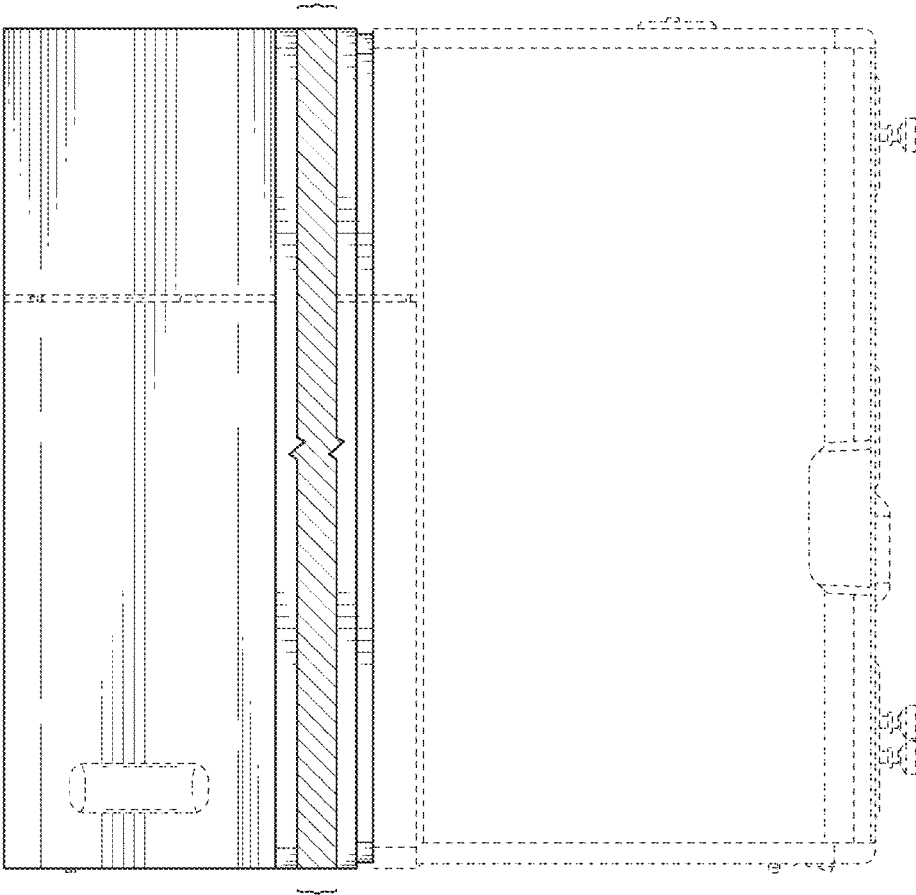


FIG. 5

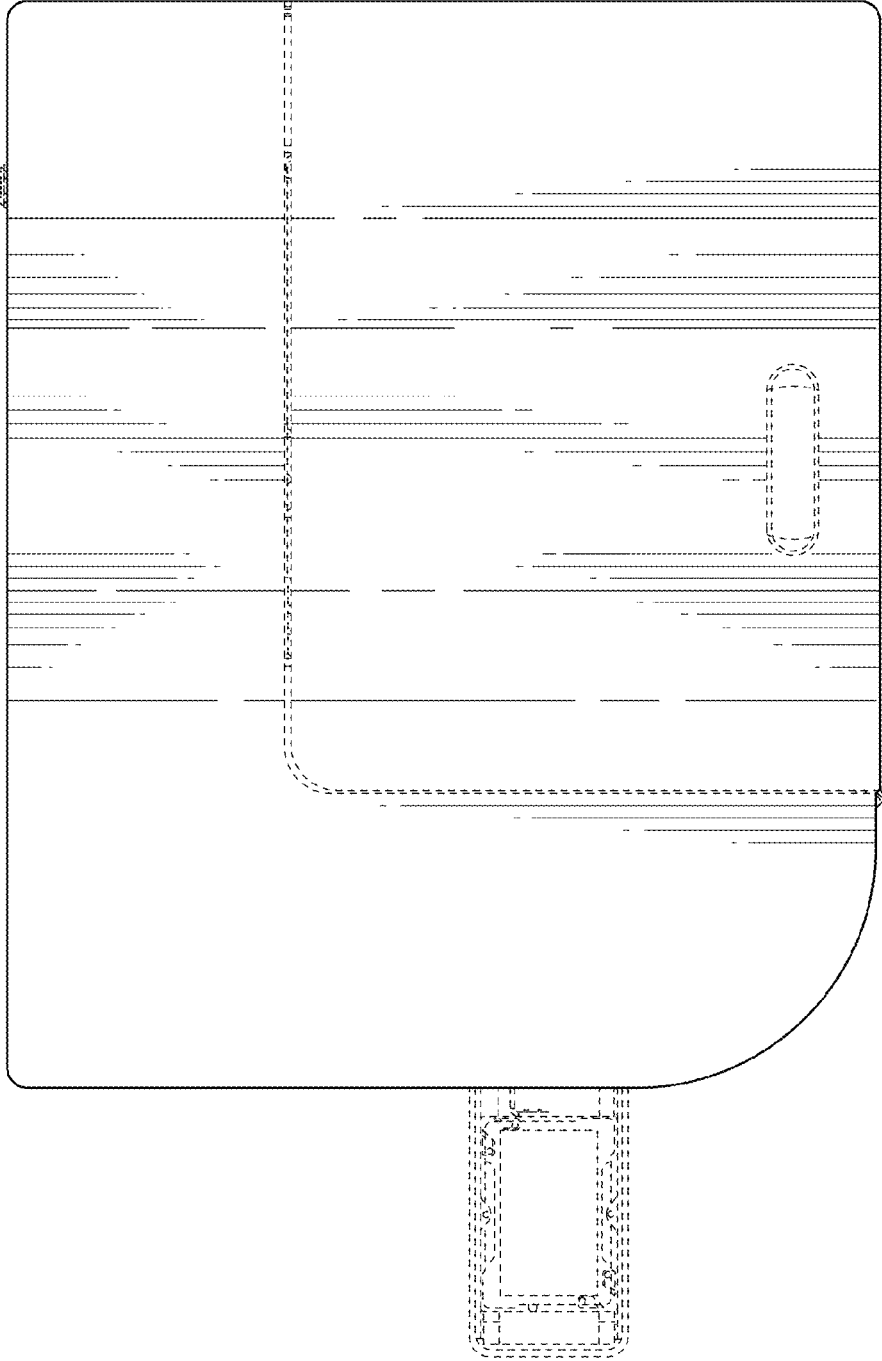


FIG. 6

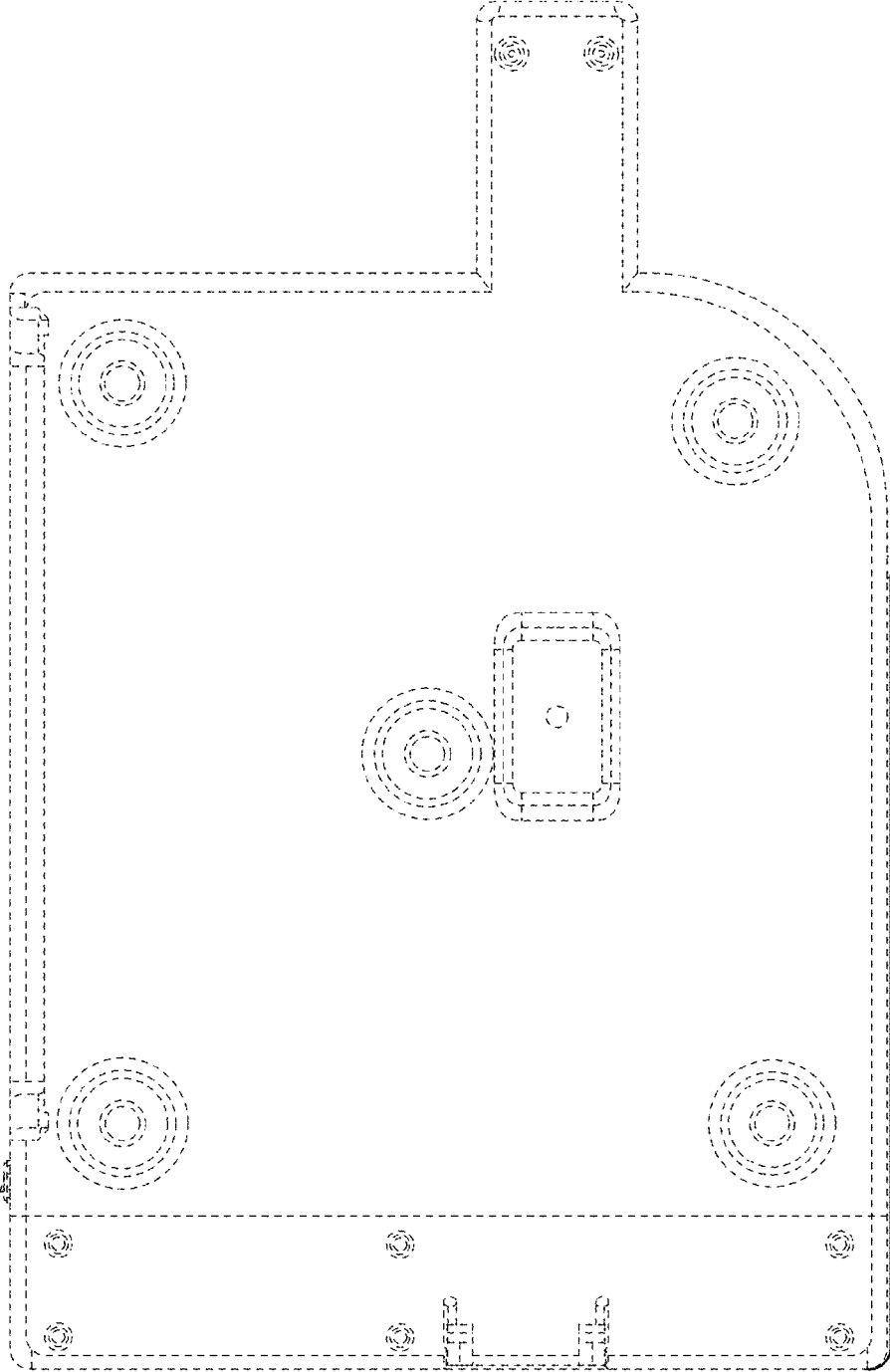


FIG. 7



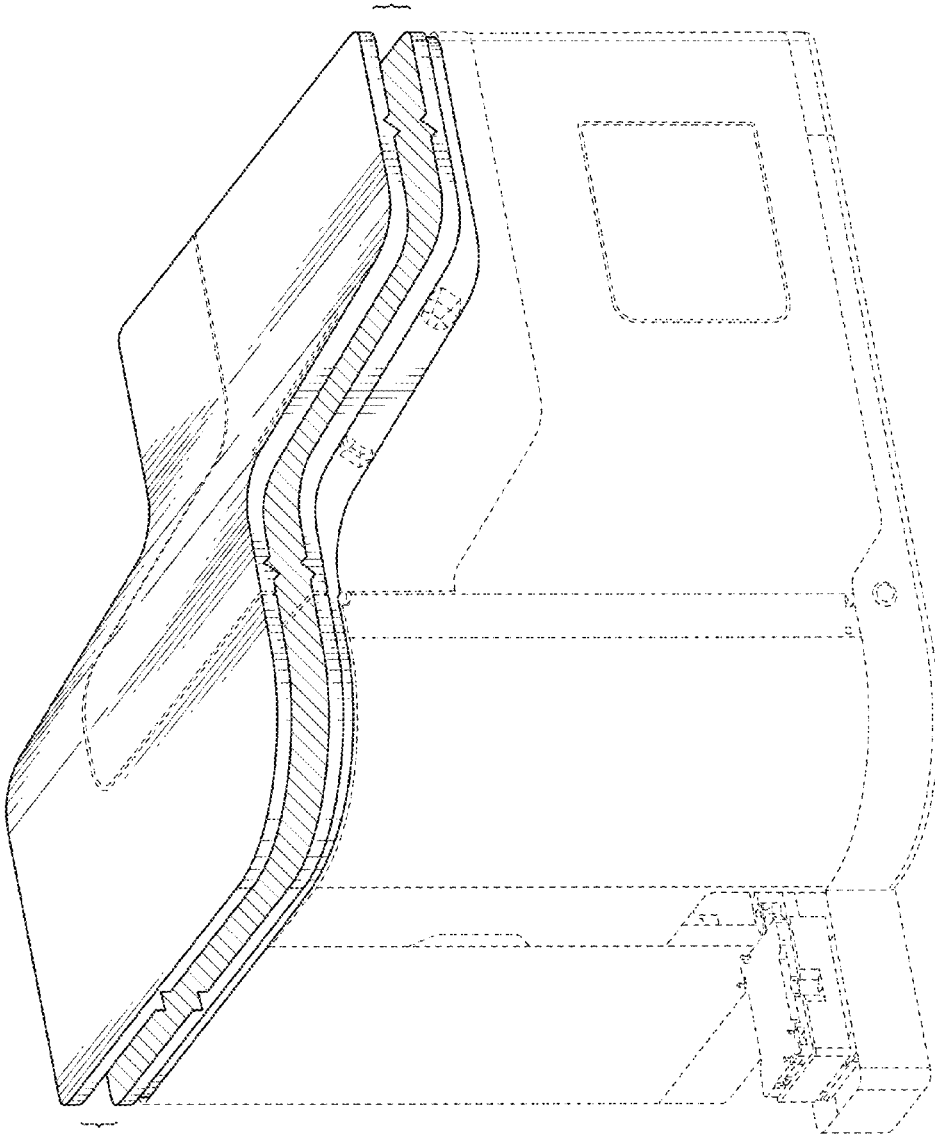


FIG. 8

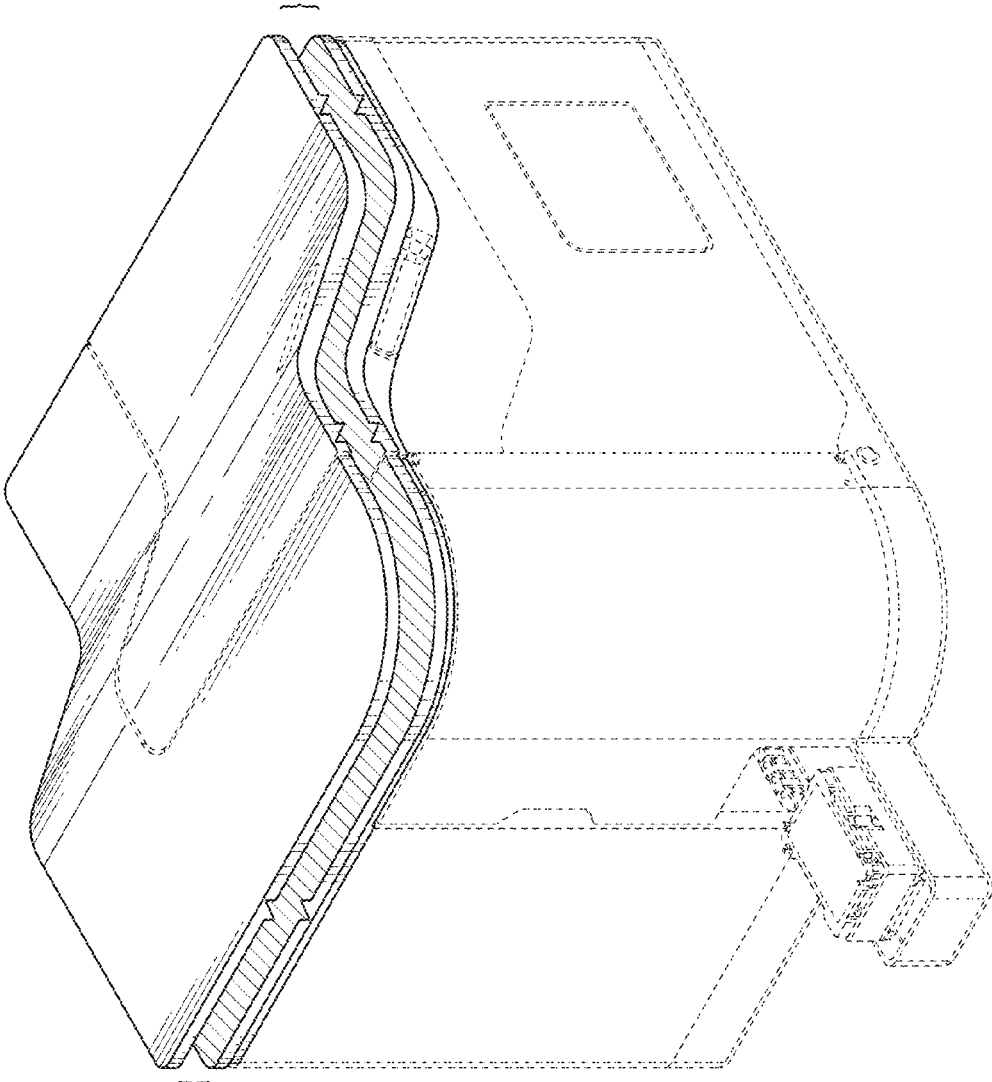


FIG. 9

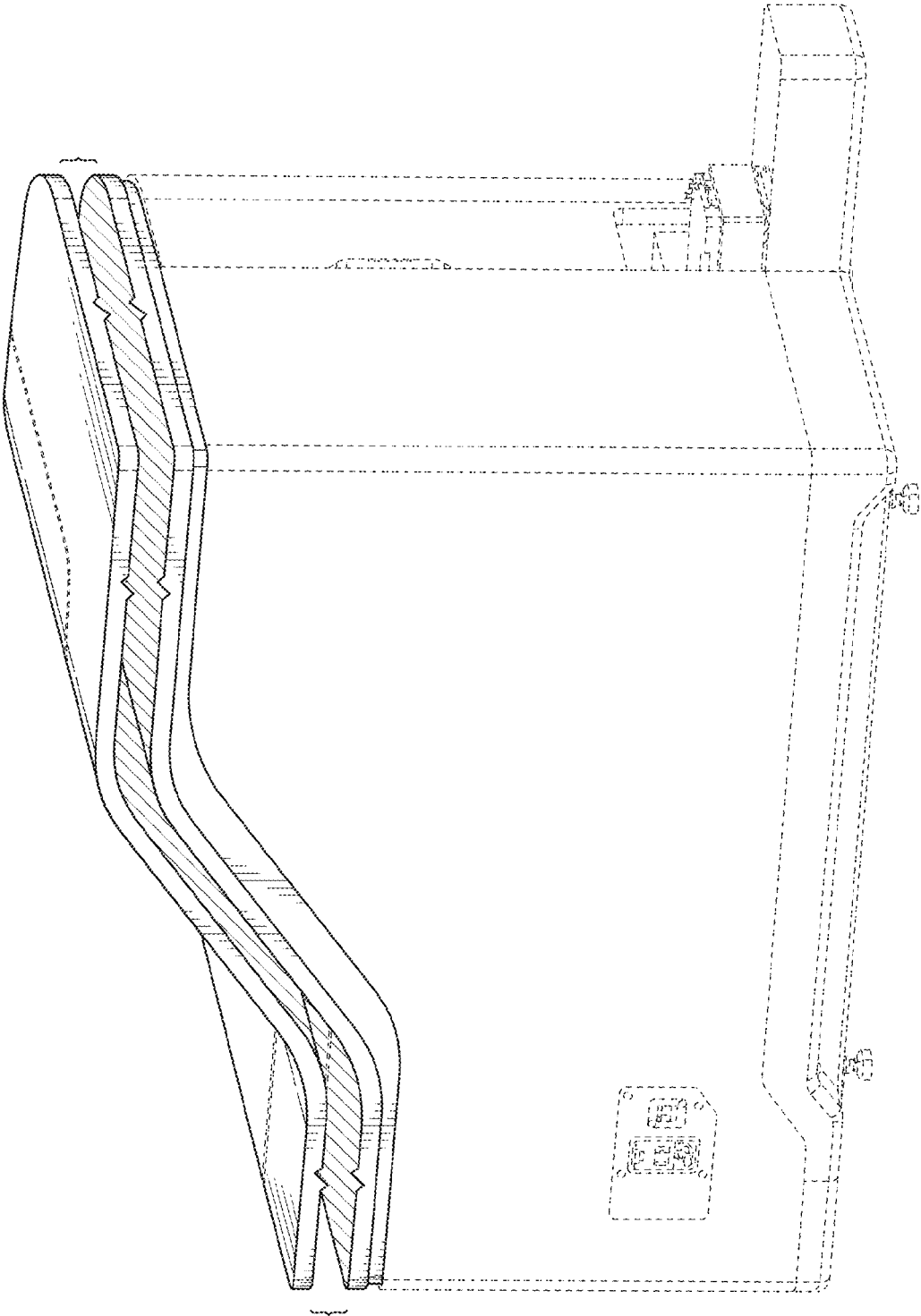


FIG. 10