



US00D716461S

(12) **United States Design Patent**  
**Lau et al.**

(10) **Patent No.:** **US D716,461 S**  
(45) **Date of Patent:** **\*\* Oct. 28, 2014**

- (54) **BABY BOTTLE**
- (71) Applicant: **Optima Feeding Systems LLC**, Santa Fe, NM (US)
- (72) Inventors: **Chantal Lau**, Santa Fe, NM (US); **Brian Wadsworth**, Santa Fe, NM (US); **Joseph E. Newman**, Santa Fe, NM (US)
- (73) Assignee: **Optima Feeding Systems, LLC**, Santa Fe, NM (US)
- (\*\*) Term: **14 Years**
- (21) Appl. No.: **29/470,484**
- (22) Filed: **Oct. 22, 2013**
- (51) **LOC (10) Cl.** ..... **07-01**
- (52) **U.S. Cl.**  
USPC ..... **D24/197**
- (58) **Field of Classification Search**  
USPC ..... D24/197, 198, 199; 215/11.1, 11.2, 215/11.3, 11.4, 11.5, 11.6; D9/719, 761, D9/516, 530; D7/510, 511  
See application file for complete search history.

D575,158	S	*	8/2008	Boon	.....	D9/516
D594,339	S	*	6/2009	Geeraert et al.	.....	D9/523
D607,331	S	*	1/2010	Booth et al.	.....	D9/516
D614,962	S	*	5/2010	Fernandez et al.	.....	D9/530
D620,366	S	*	7/2010	Bruscha et al.	.....	D9/529
D650,233	S	*	12/2011	Roehrig et al.	.....	D7/510
D662,824	S	*	7/2012	Perez	.....	D9/516
D674,100	S		1/2013	Smith		
D674,101	S		1/2013	Smith		
D674,102	S		1/2013	Smith		
D674,497	S		1/2013	Smith		
D674,498	S		1/2013	Lhomme et al.		
D692,303	S	*	10/2013	Rhodes et al.	.....	D9/516
2010/0044334	A1	*	2/2010	Barlow	.....	215/11.5
2013/0341297	A1	*	12/2013	Stephan et al.	.....	215/11.1

\* cited by examiner

*Primary Examiner* — George D Kirschbaum

*Assistant Examiner* — Kendra L Hamilton

(74) *Attorney, Agent, or Firm* — Peacock Myers, P.C.; Janeen Vilven

(57) **CLAIM**

The ornamental design for a baby bottle, as shown and described.

**DESCRIPTION**

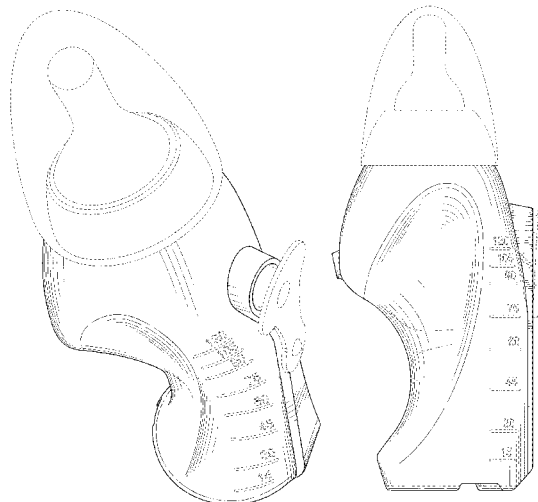
FIG. 1 is a perspective view of the baby bottle showing our new design;  
 FIG. 2 is a left side view thereof;  
 FIG. 3 is a right side view thereof;  
 FIG. 4 is a front view thereof;  
 FIG. 5 is a back view thereof;  
 FIG. 6 is a top view thereof;  
 FIG. 7 is a bottom view thereof;  
 FIG. 8 is a without cap perspective view thereof;  
 FIG. 9 is a left side view of FIG. 8;  
 FIG. 10 is a right side view of FIG. 8.  
 FIG. 11 is a front view of FIG. 8.  
 FIG. 12 is a back view of FIG. 8.  
 FIG. 13 is a top view of FIG. 8; and,  
 FIG. 14 is a bottom view of FIG. 8.

**1 Claim, 12 Drawing Sheets**

(56) **References Cited**

U.S. PATENT DOCUMENTS

D191,770	S	*	11/1961	Schacher	.....	D9/543
3,145,867	A	*	8/1964	Roberts et al.	.....	215/11.1
D226,688	S	*	4/1973	Thornton	.....	D24/197
D321,936	S	*	11/1991	Donovan	.....	D24/197
6,073,788	A	*	6/2000	Stroud	.....	215/11.1
D430,011	S	*	8/2000	LeCoule	.....	D9/661
6,173,850	B1	*	1/2001	Scheetz et al.	.....	215/11.1
6,305,562	B1	*	10/2001	Chan et al.	.....	215/11.1
D462,618	S	*	9/2002	Meecker et al.	.....	D9/530
D463,981	S	*	10/2002	Crawford et al.	.....	D9/530
D464,434	S	*	10/2002	Morano	.....	D24/197
D483,268	S	*	12/2003	Willows et al.	.....	D9/522
D502,404	S	*	3/2005	Hunt et al.	.....	D9/543
D545,197	S	*	6/2007	Adamson et al.	.....	D9/516
D557,610	S	*	12/2007	Conway	.....	D9/543
D569,260	S		5/2008	Heisner		



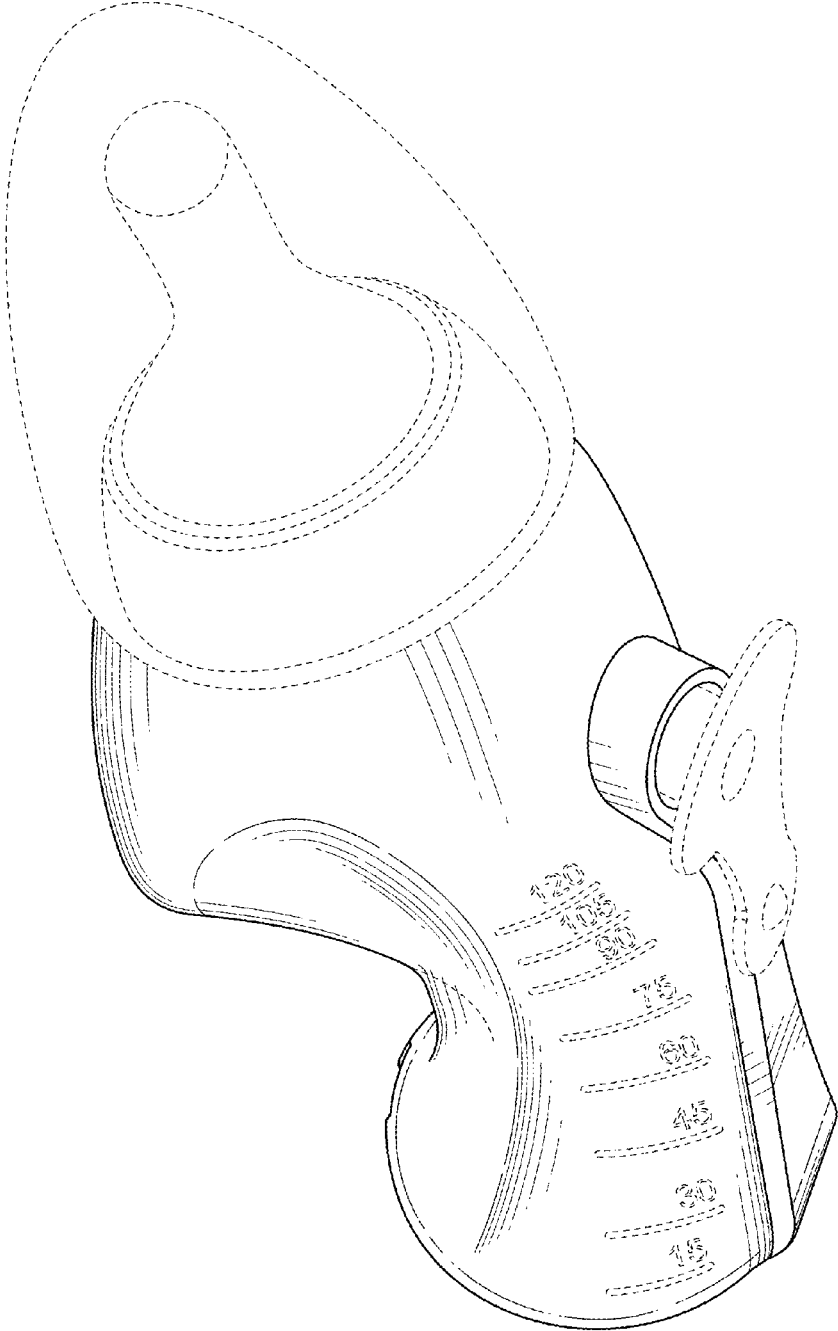


FIG. 1

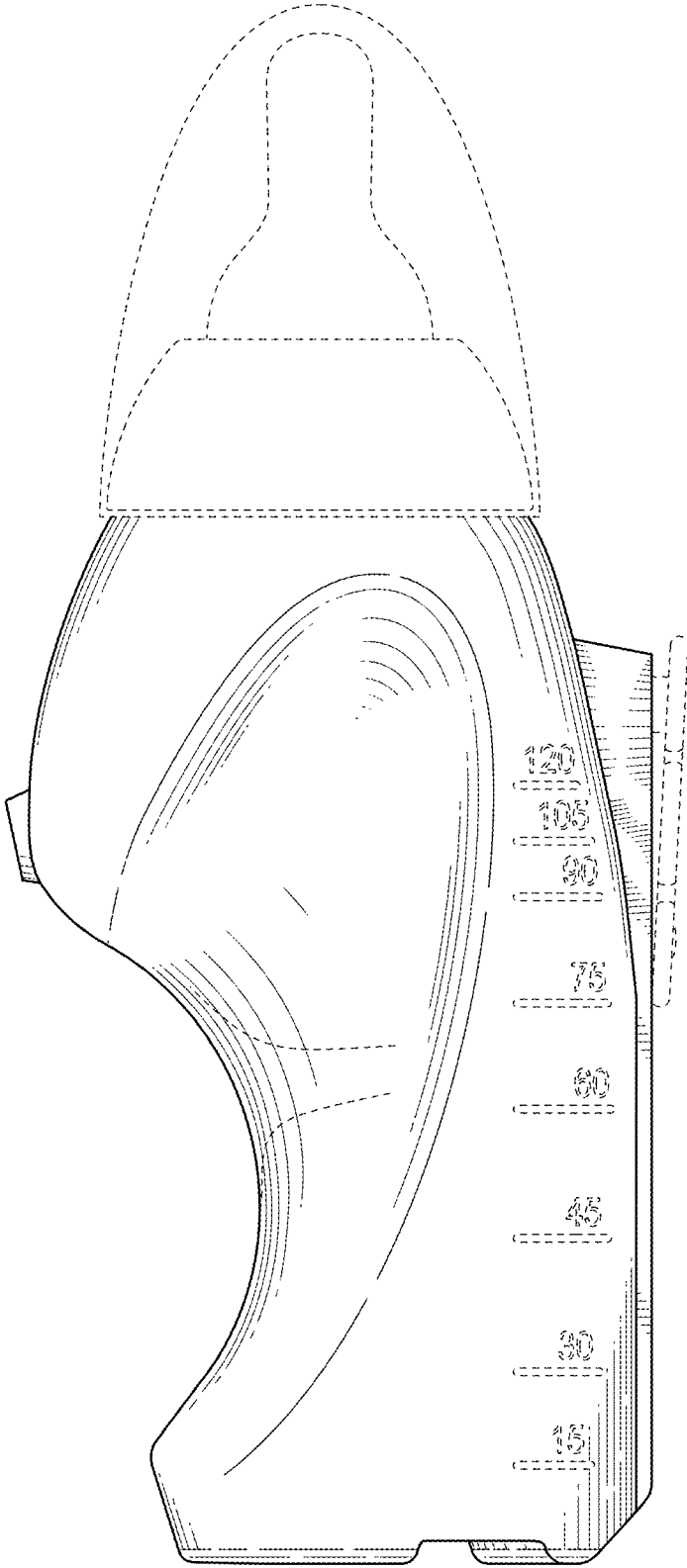


FIG. 2

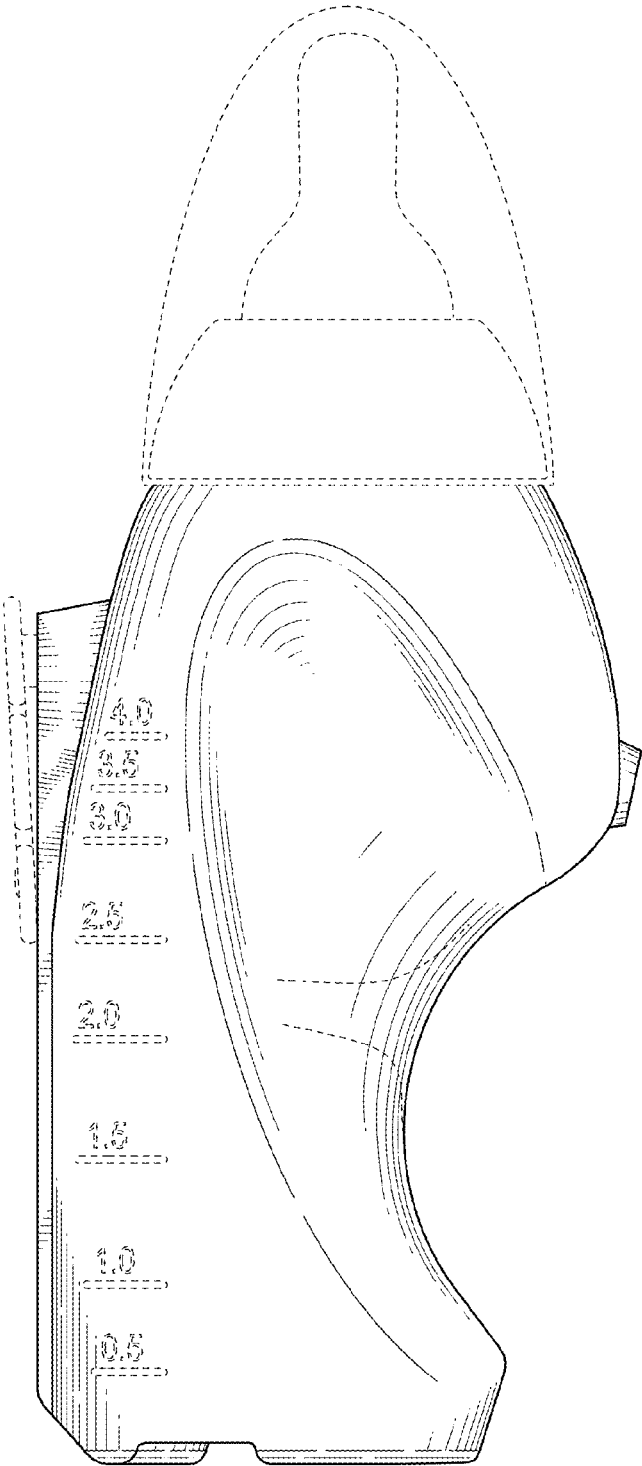


FIG. 3

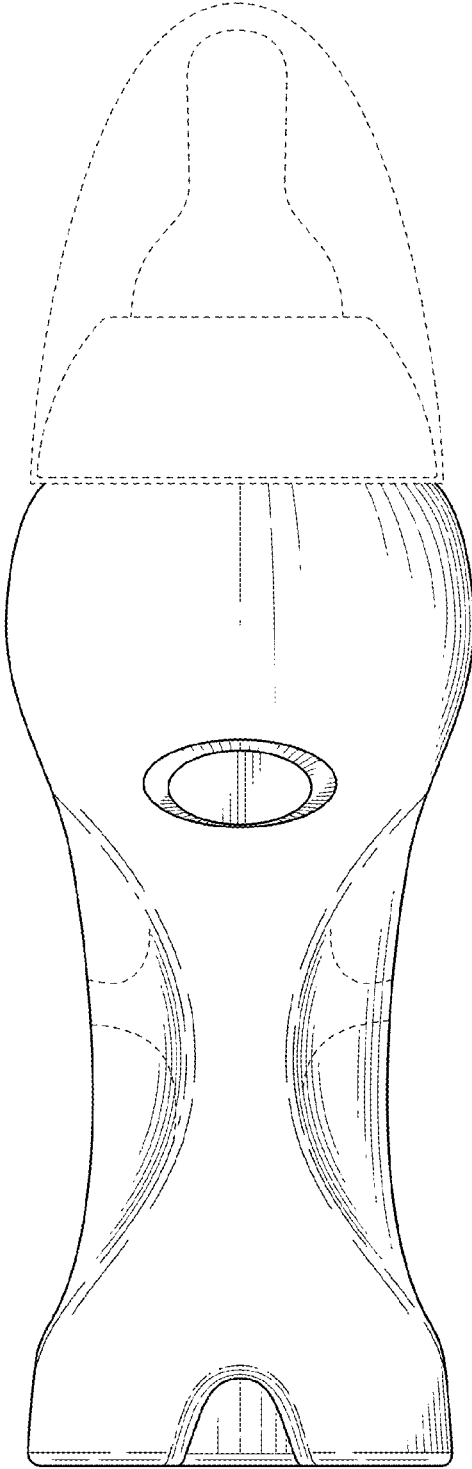


FIG. 4

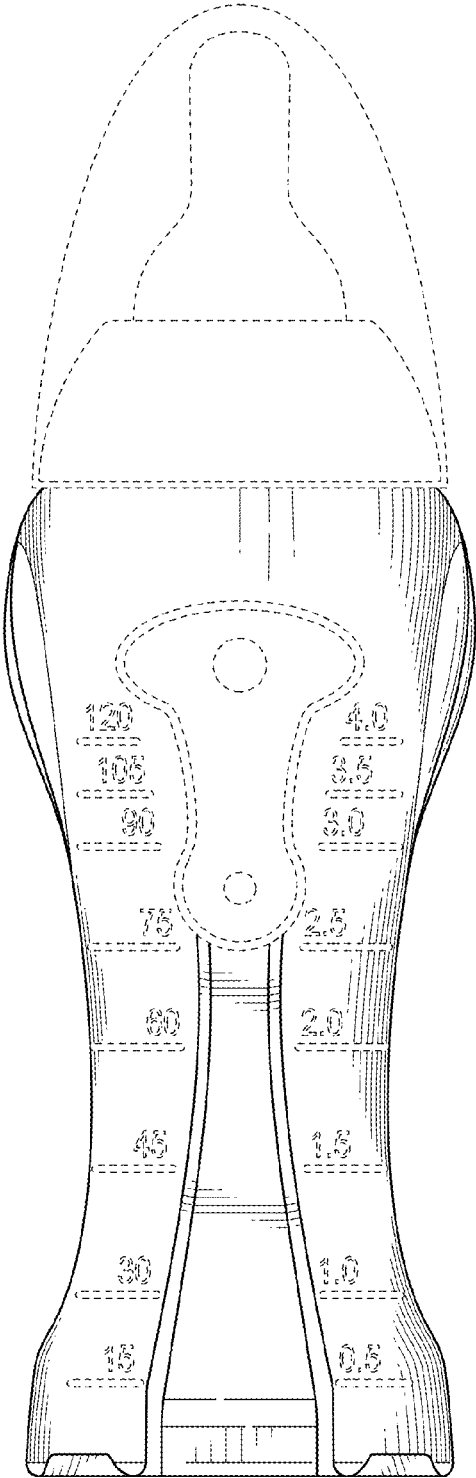


FIG. 5

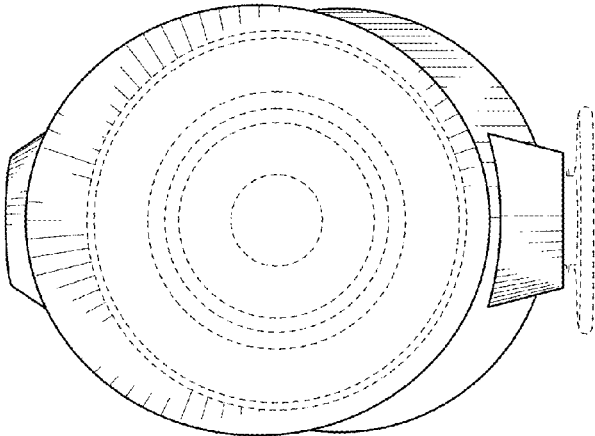


FIG. 6

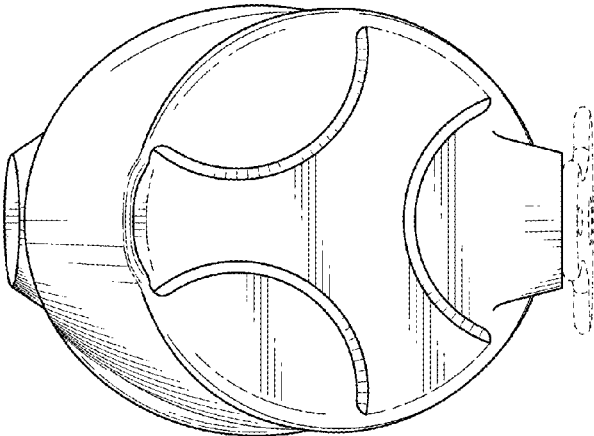


FIG. 7

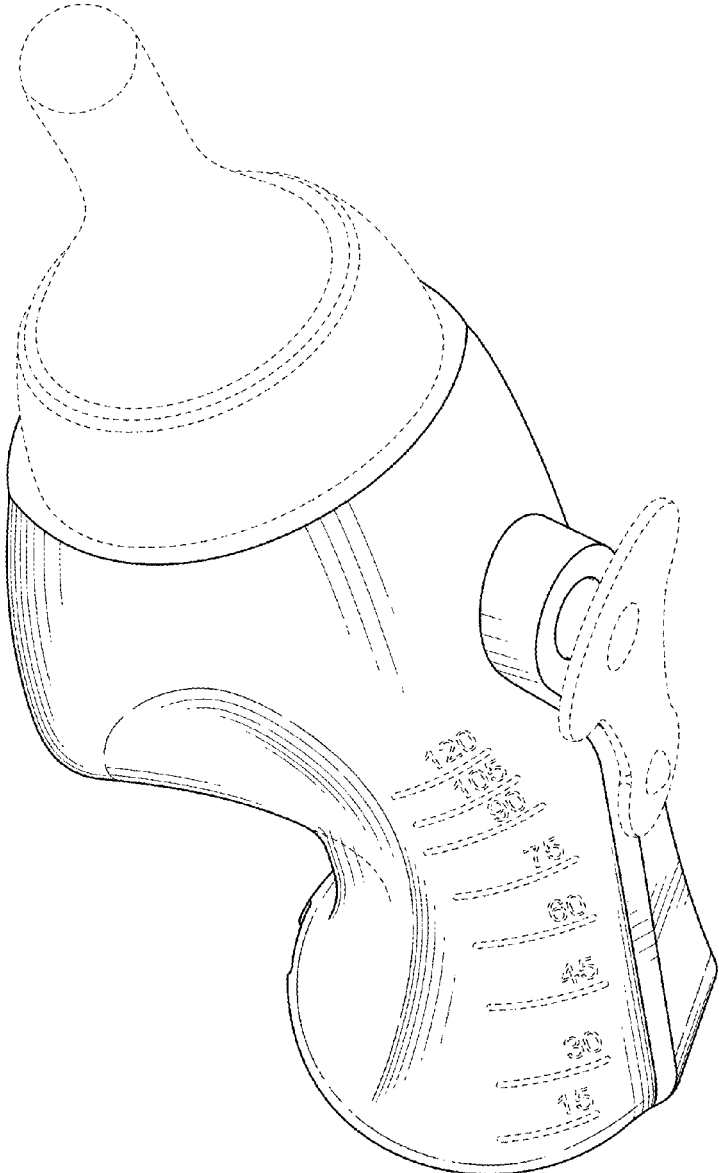


FIG. 8



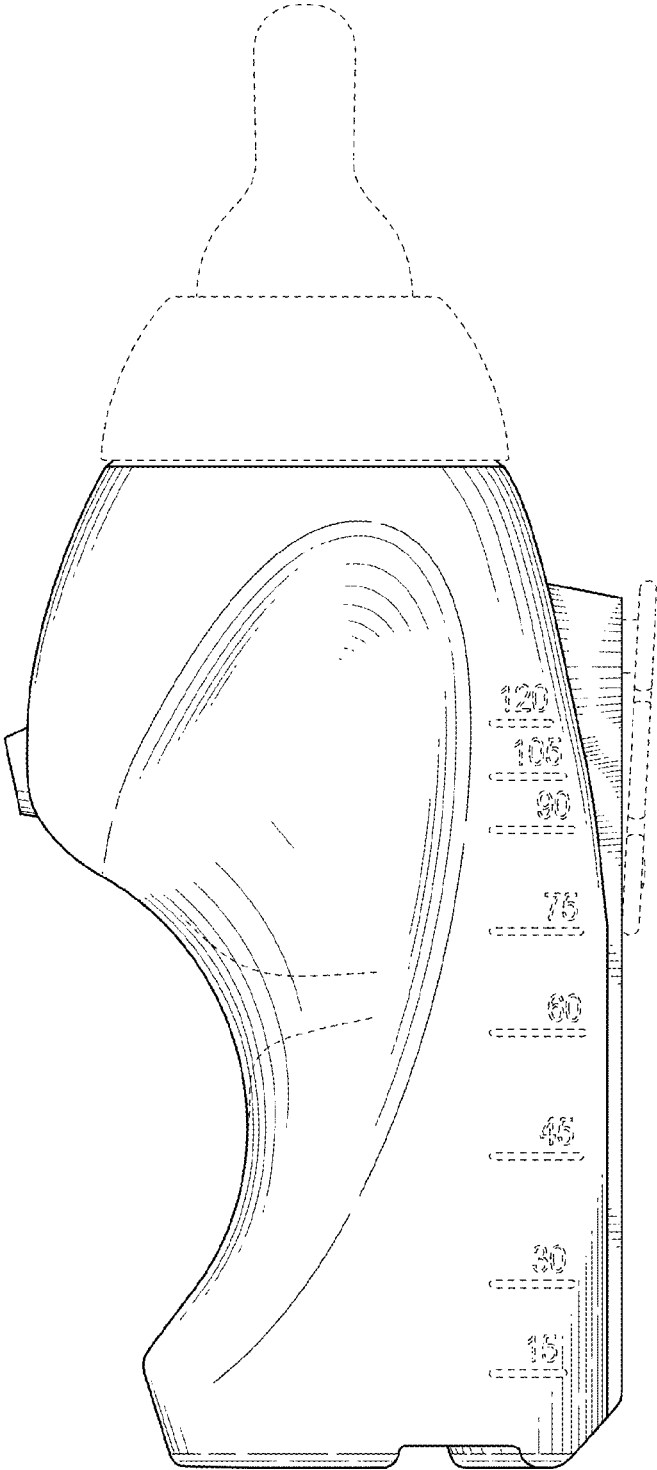


FIG. 9

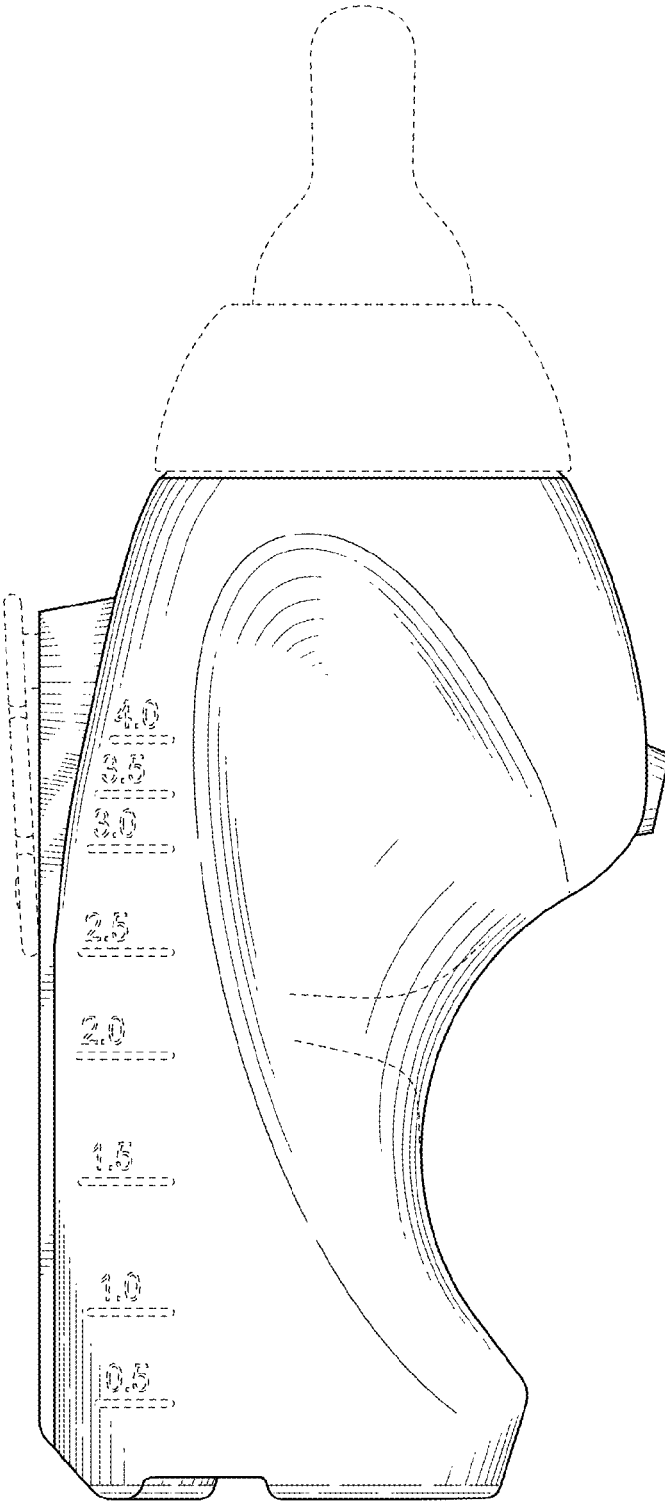


FIG. 10

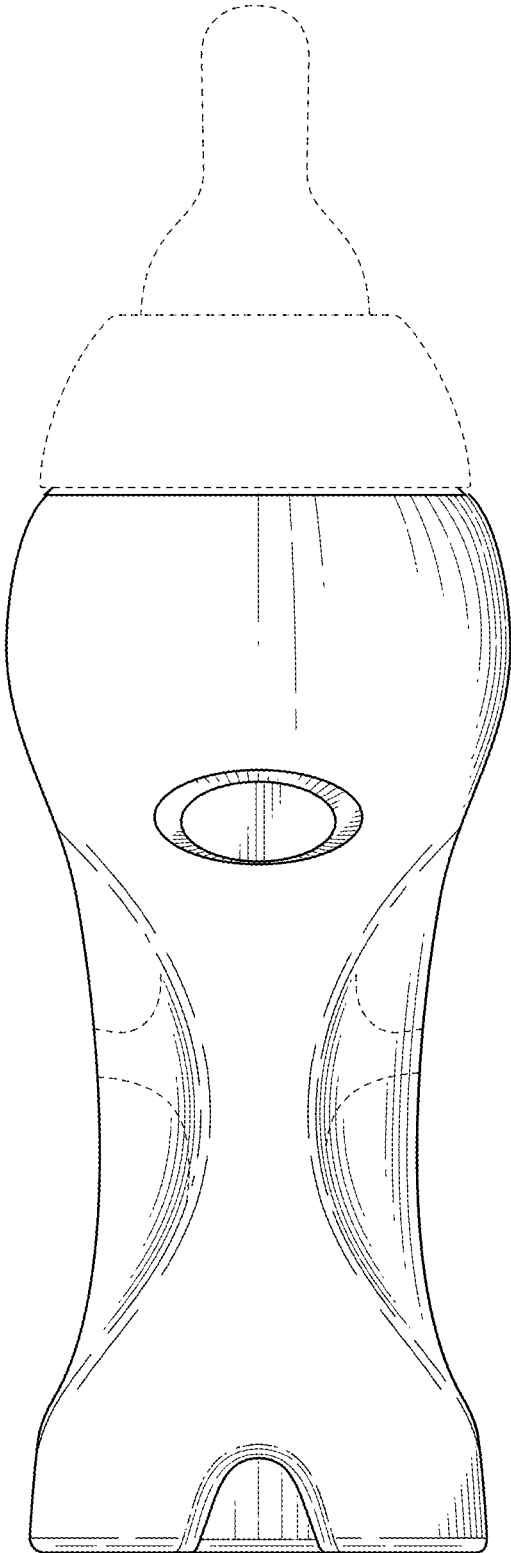


FIG. 11

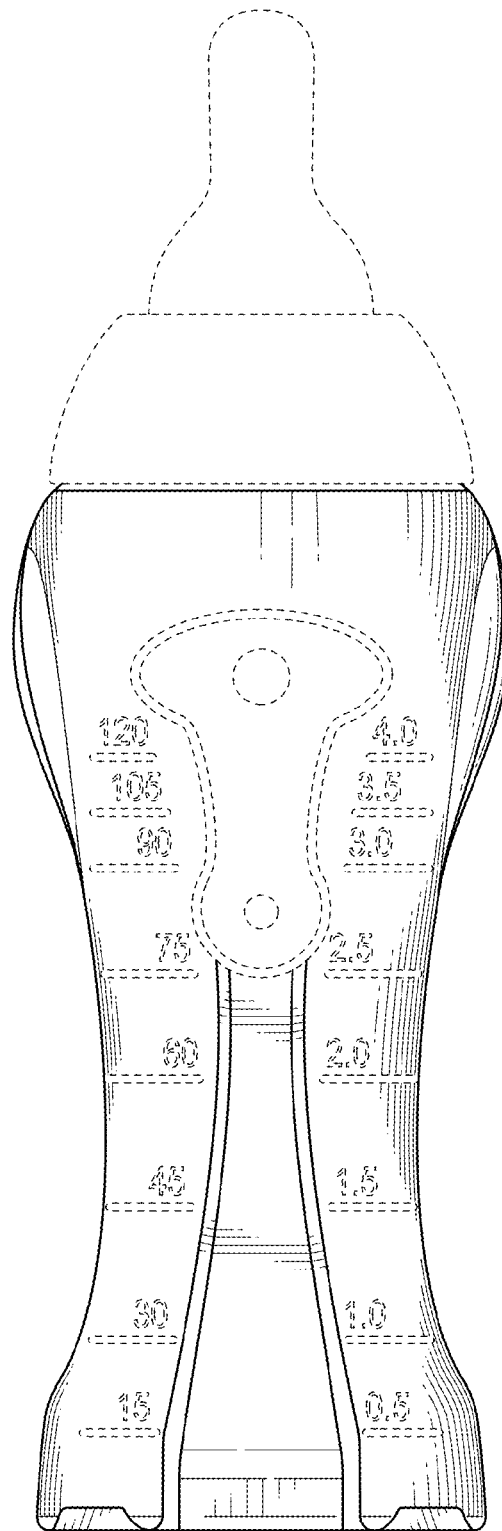


FIG. 12

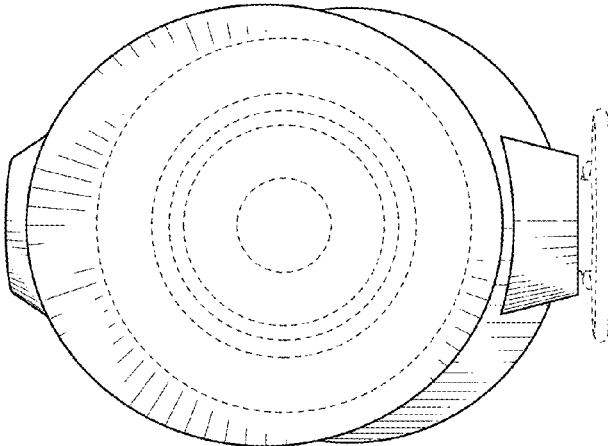


FIG. 13

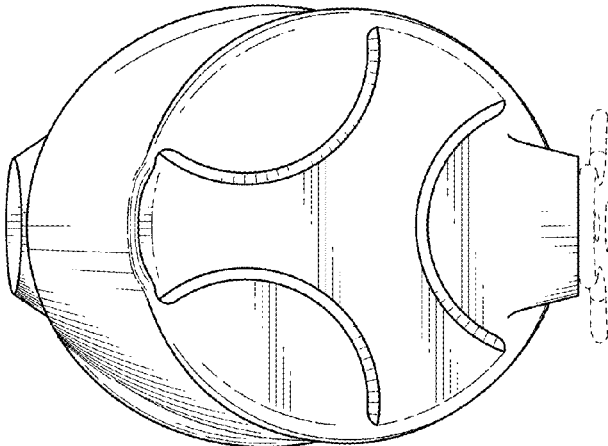


FIG. 14