



(12) **United States Design Patent**
Zamarripa

(10) **Patent No.:** **US D632,024 S**
(45) **Date of Patent:** **** Feb. 1, 2011**

(54) **BIRD HOUSE**

D608,059 S * 1/2010 McNaughton D30/119

(75) Inventor: **Xavier Zamarripa**, Albuquerque, NM (US)

OTHER PUBLICATIONS

Interiors; Mar. 1955; p. 90; purely for the birds.*
House Beautiful; Oct. 1964; p. 155; Jet Age Bird House.*

(73) Assignee: **XZ, LLC**, Albuquerque, NM (US)

* cited by examiner

(**) Term: **14 Years**

Primary Examiner—Cathy Anne MacCormac
(74) *Attorney, Agent, or Firm*—Samantha A. Updegraff;
Peacock Myers, P.C.

(21) Appl. No.: **29/352,410**

(22) Filed: **Dec. 21, 2009**

(57) **CLAIM**

(51) **LOC (9) Cl.** **30-02**

The ornamental design for the bird house, as shown and described.

(52) **U.S. Cl.** **D30/110**

(58) **Field of Classification Search** D30/110–111,
D30/124–128; 119/421, 427–431, 433, 435,
119/452–453, 472, 474, 482, 496–498, 500–501,
119/161, 163, 165–170; D11/44, 81, 125,
D11/157

DESCRIPTION

See application file for complete search history.

FIG. 1 is a perspective view of a bird house, which is comprised of two pieces;

FIG. 2 is a front view of a two-piece bird house;

FIG. 3 is a back view of a two-piece bird house;

FIG. 4 is a left side view of a two-piece bird house;

FIG. 5 is a right side view of a two-piece bird house;

FIG. 6 is a top view of a two-piece bird house;

FIG. 7 is a bottom view of a two-piece bird house;

FIG. 8 is a perspective view of a second embodiment of FIG. 1 and is a bird house comprised of one piece;

FIG. 9 is a front view of FIG. 8;

FIG. 10 is a back view of FIG. 8;

FIG. 11 is a left side view of FIG. 8;

FIG. 12 is a right side view of FIG. 8;

FIG. 13 is a top view of FIG. 8; and,

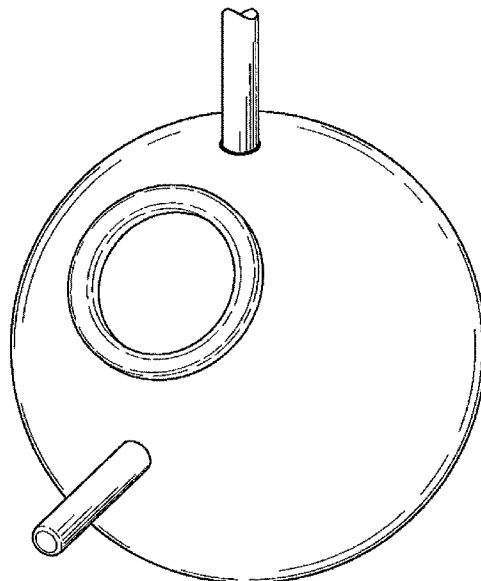
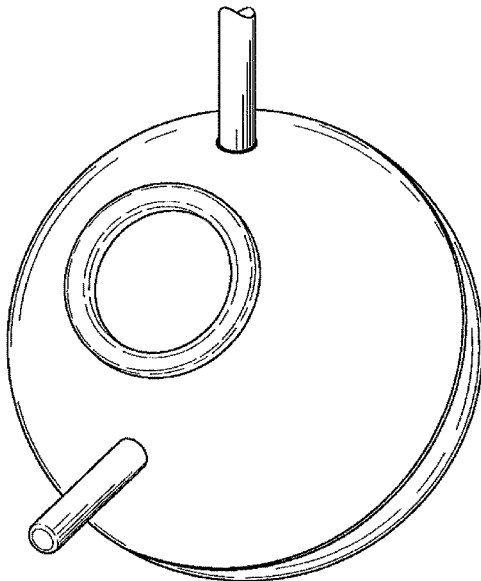
FIG. 14 is a bottom view of FIG. 8.

(56) **References Cited**

U.S. PATENT DOCUMENTS

D76,400	S	*	9/1928	Kevitt	D30/110
1,752,291	A	*	4/1930	Barbiers	215/382
D165,628	S	*	1/1952	Blazier	D30/128
3,182,635	A	*	5/1965	Waite	119/428
3,292,840	A	*	12/1966	Schmidt	220/4.25
3,650,384	A	*	3/1972	Pegg	211/1
3,780,703	A	*	12/1973	Boehland, Jr.	D30/111
3,783,831	A	*	1/1974	Patliff	119/435
D234,308	S	*	2/1975	Bowley	D30/110
D243,648	S	*	3/1977	Conroy	D11/145
D254,716	S	*	4/1980	Mascia et al.	D9/776
D255,988	S	*	7/1980	Mascia et al.	D9/519
D268,444	S	*	3/1983	Young	D30/117
6,237,538	B1	*	5/2001	Tsengas	119/707
D465,733	S	*	11/2002	Hill	D9/519
D602,311	S	*	10/2009	Finell	D7/629

1 Claim, 8 Drawing Sheets



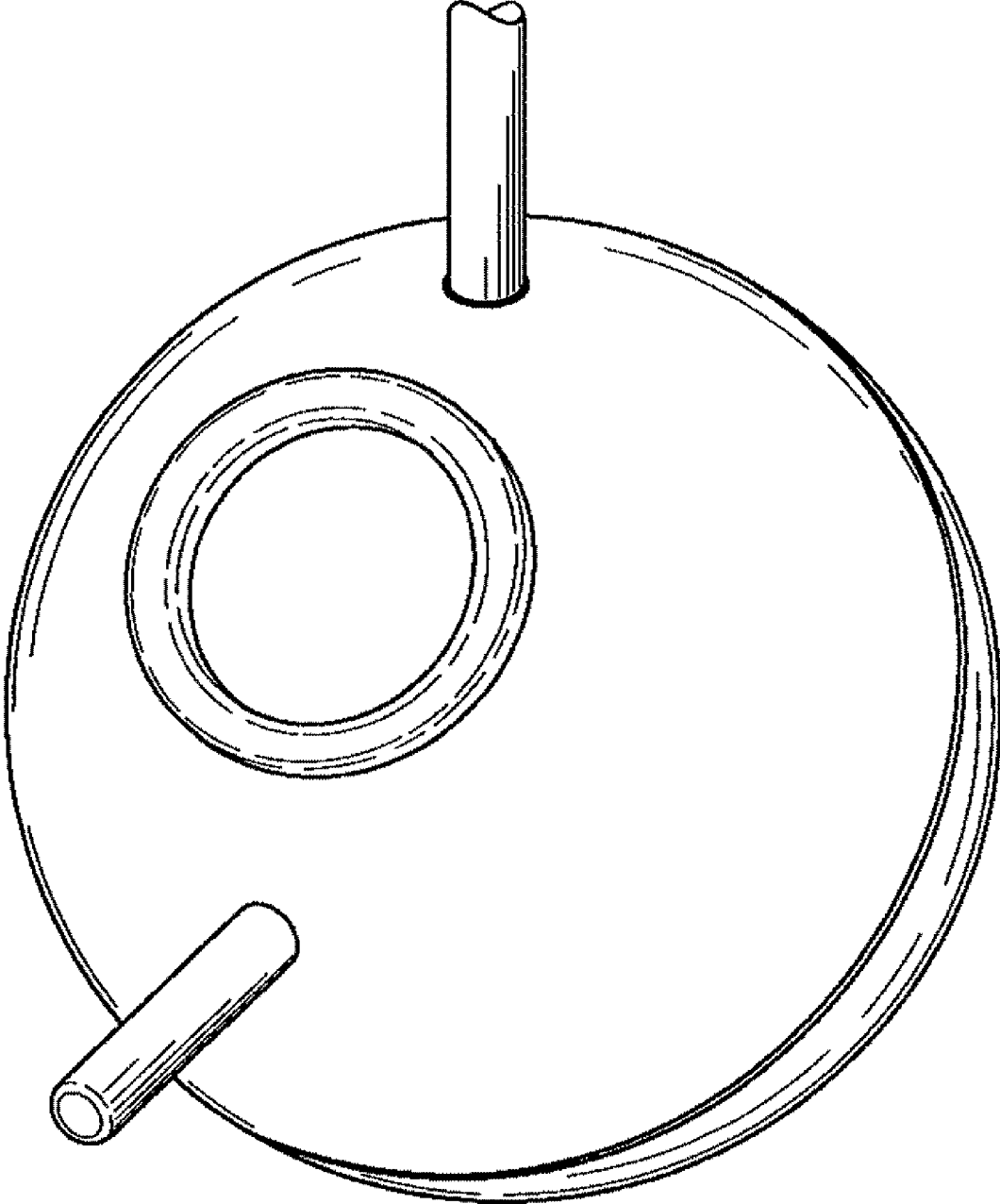


FIG. 1

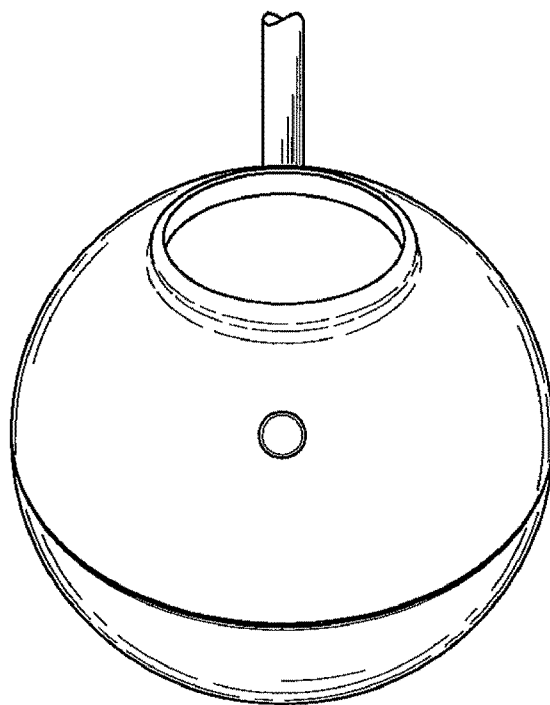


FIG. 2

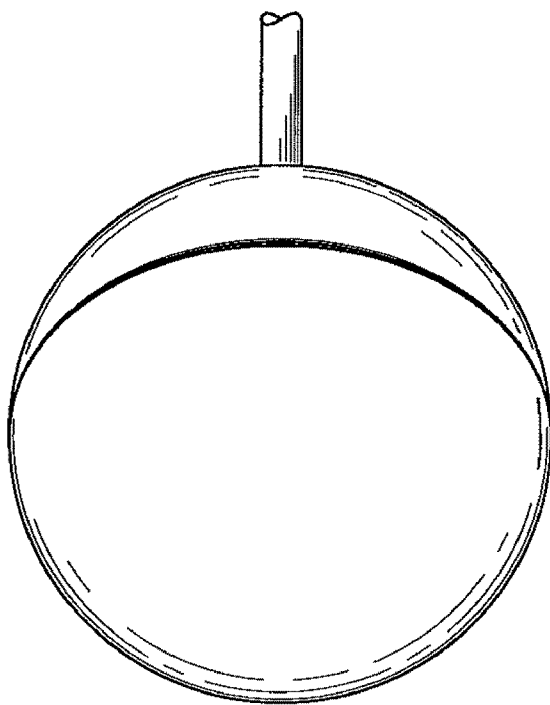


FIG. 3

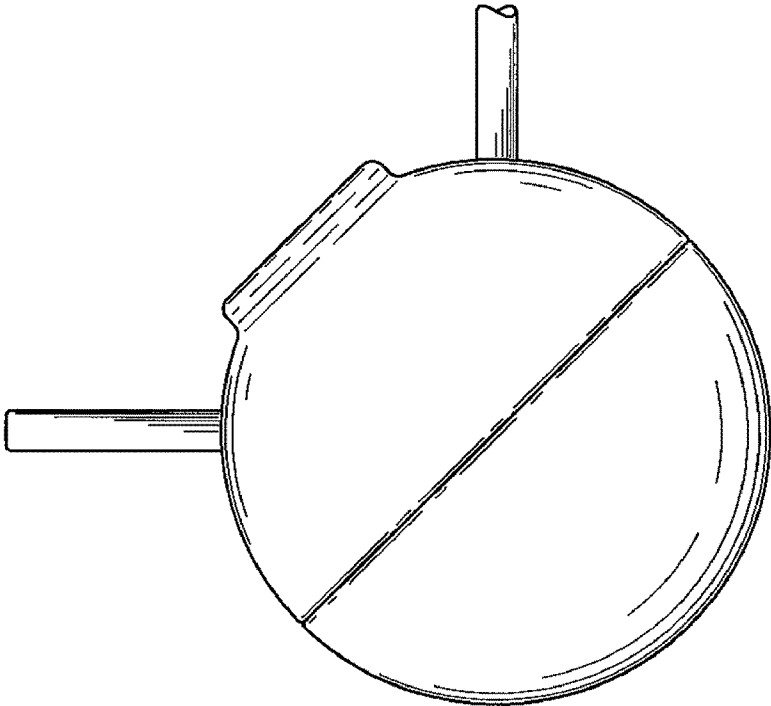


FIG. 4

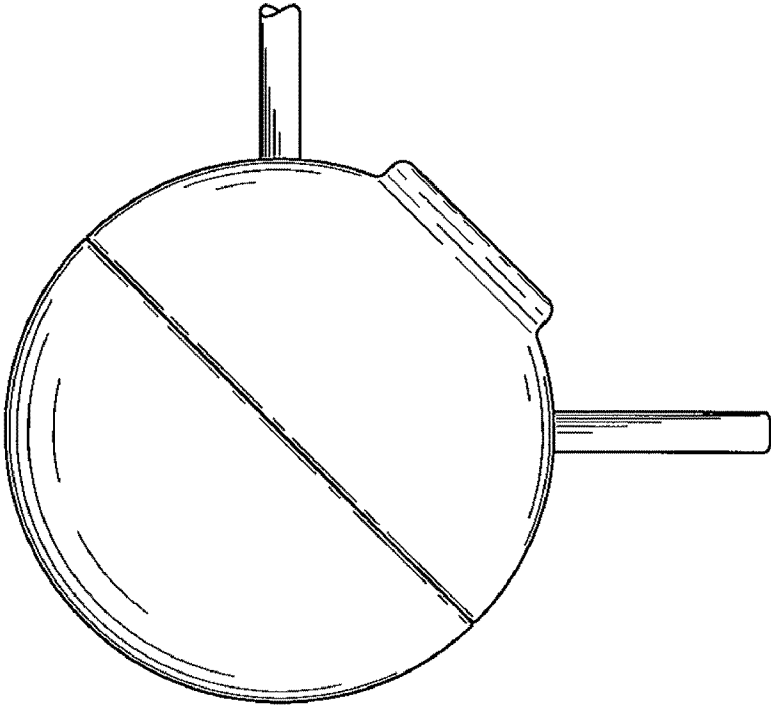


FIG. 5

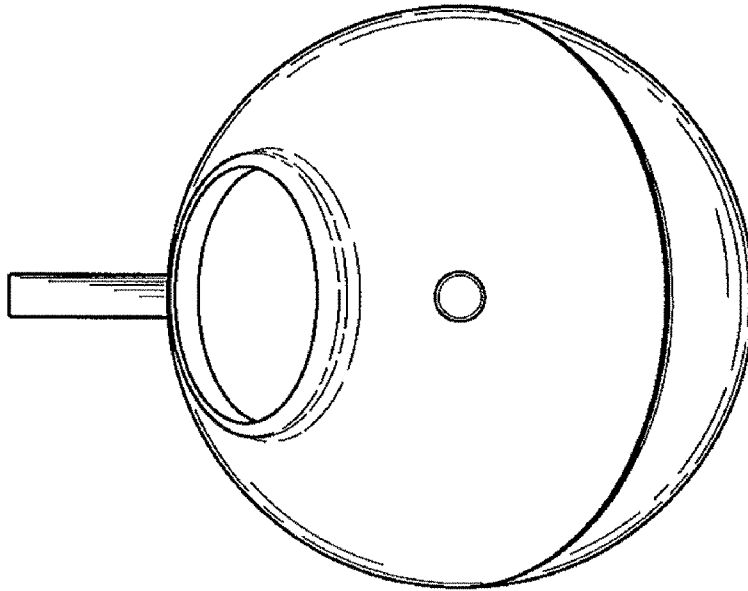


FIG. 6

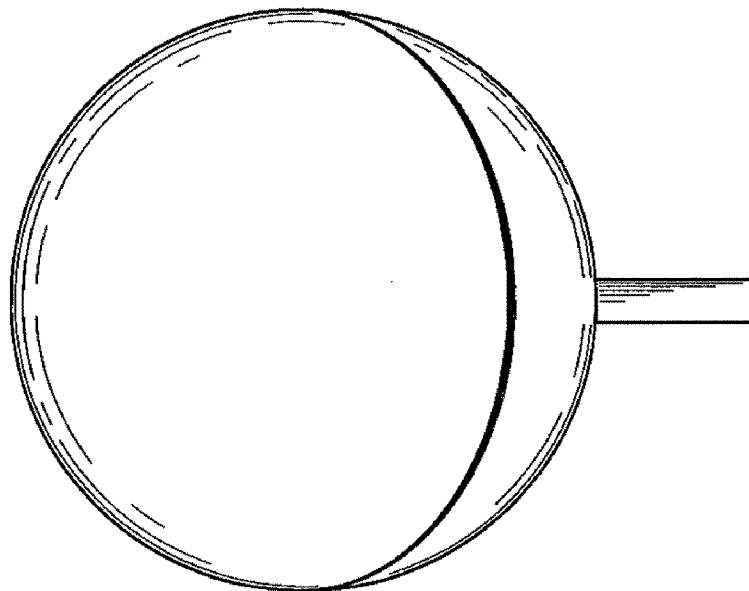


FIG. 7

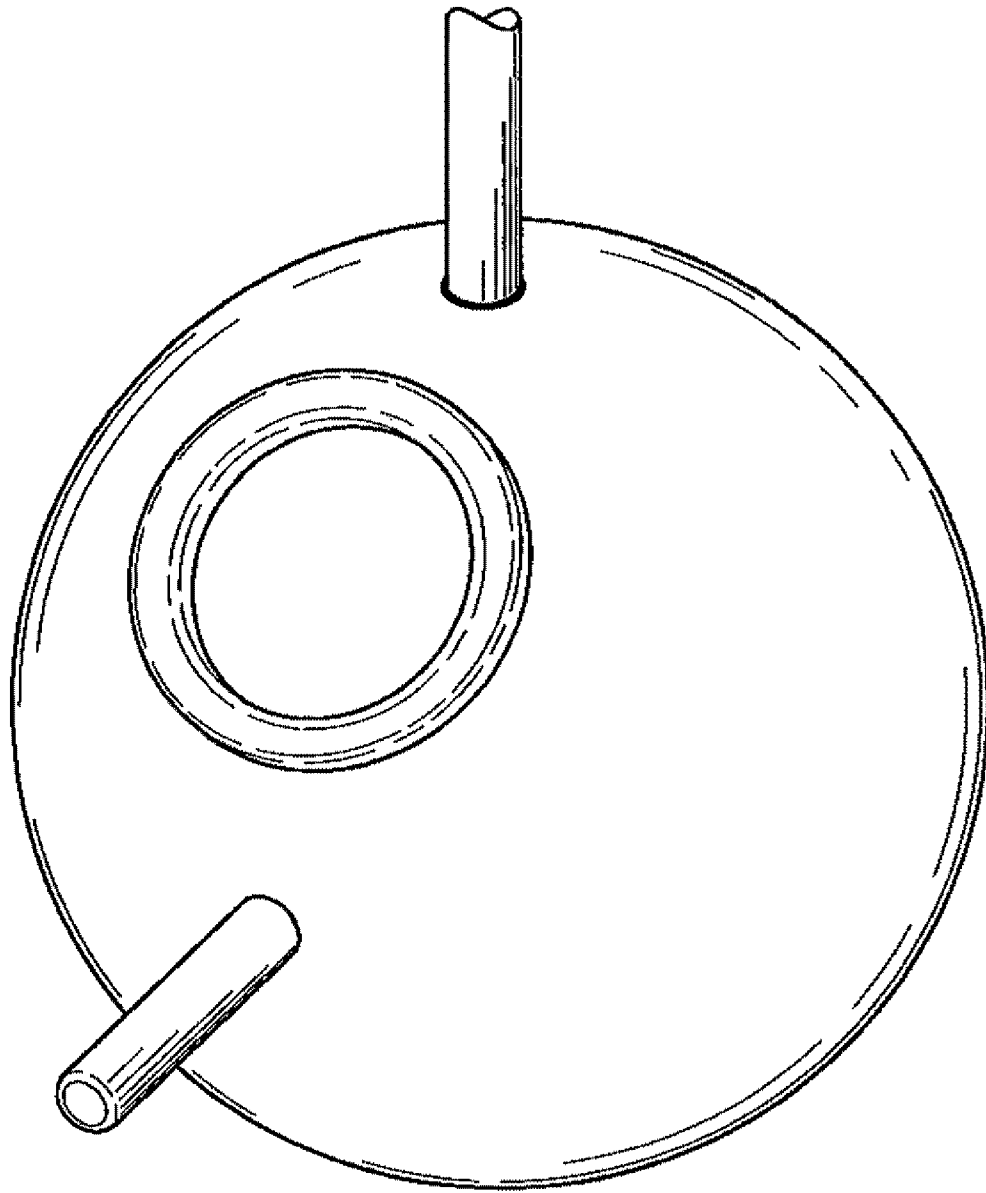


FIG. 8

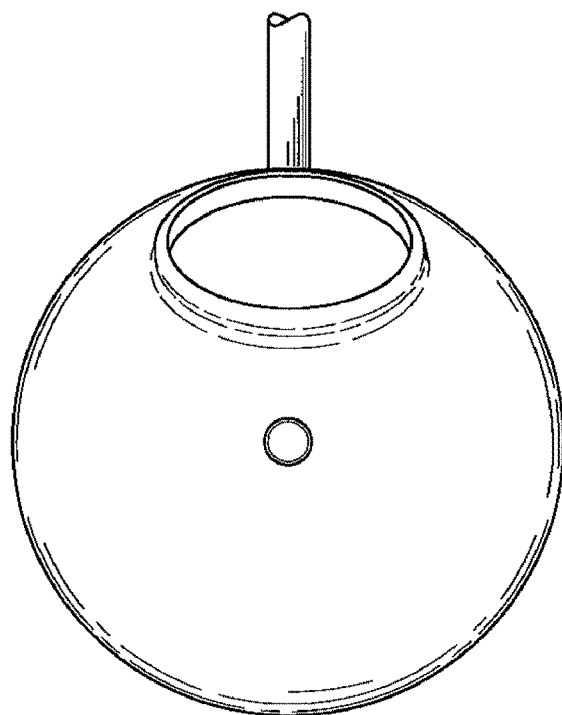


FIG. 9

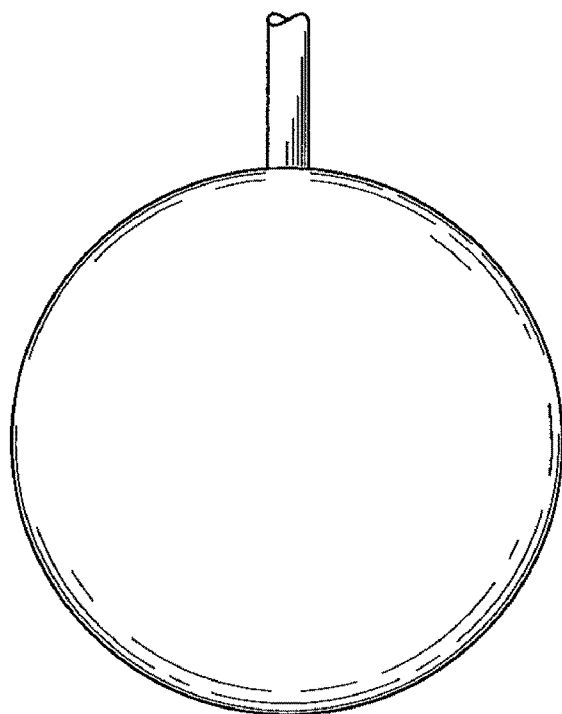


FIG. 10

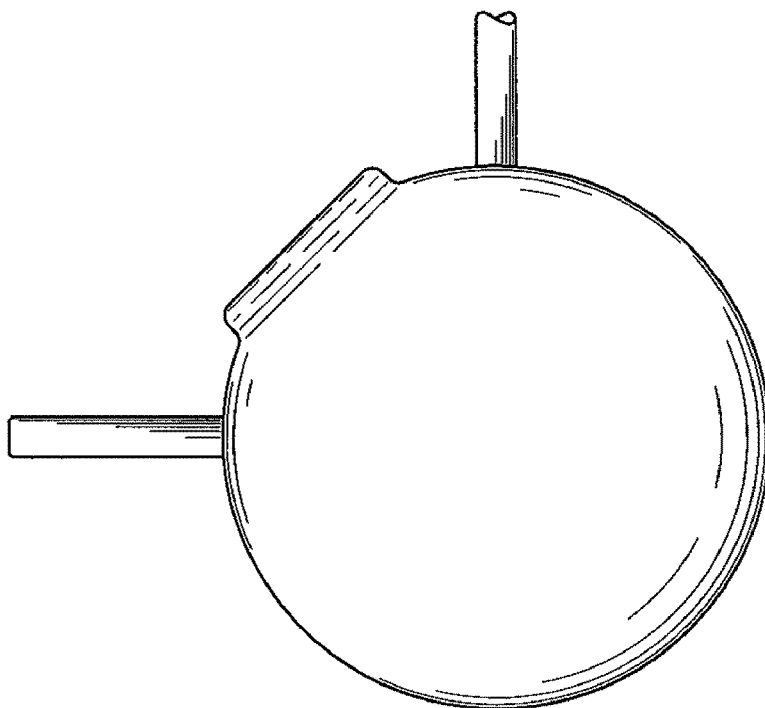


FIG. 11

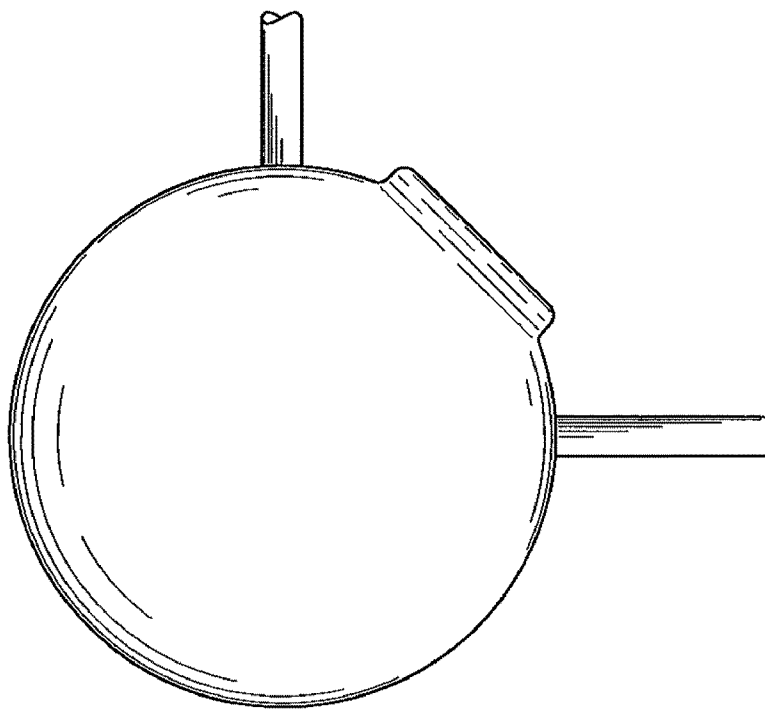


FIG. 12

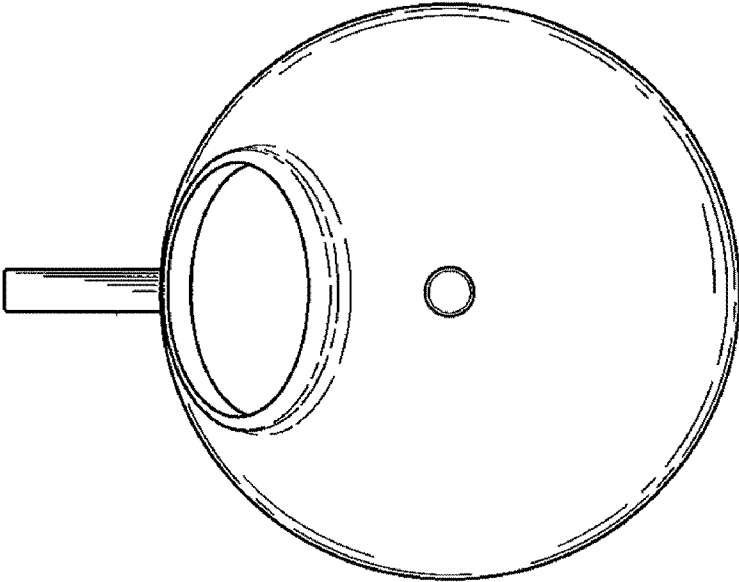


FIG. 13

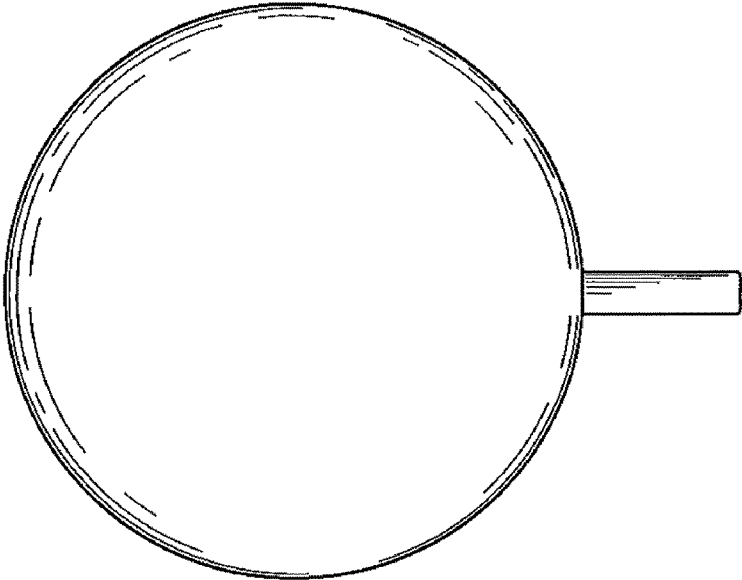


FIG. 14