



US00D627267S

(12) **United States Design Patent**  
**Freer, II et al.**

(10) **Patent No.:** **US D627,267 S**

(45) **Date of Patent:** **\*\* \*Nov. 16, 2010**

(54) **MOTORCYCLE ARMREST**

(75) Inventors: **William Freer, II**, Albuquerque, NM (US); **Mary Martin**, Albuquerque, NM (US)

(73) Assignee: **Enchantment Motor Sports, LLC**, Albuquerque, NM (US)

(\* ) Notice: This patent is subject to a terminal disclaimer.

(\*\*) Term: **14 Years**

(21) Appl. No.: **29/344,592**

(22) Filed: **Sep. 30, 2009**

(51) **LOC (9) Cl.** ..... **12-11**

(52) **U.S. Cl.** ..... **D12/119**

(58) **Field of Classification Search** ..... D6/354,  
D6/500-502; D12/110, 114, 119, 421, 222,  
D12/223; 180/219; 280/288.4, 304.4; 297/411.1,  
297/411.2, 411.21-411.29, 411.3, 411.31-411.39,  
297/411.4, 411.41-411.46, DIG. 6, 195.1,  
297/201, 214, 215.1, 215.11-215.15, 219.1,  
297/219.11, 227, 228

See application file for complete search history.

(56) **References Cited**

**U.S. PATENT DOCUMENTS**

585,913	A	7/1897	Haynes	
3,901,534	A	8/1975	Popken	
D246,968	S *	1/1978	Skłodowsky	D12/119
4,225,183	A *	9/1980	Hanagan et al.	297/411.31
4,549,629	A *	10/1985	Komuro	180/219
4,695,096	A *	9/1987	Kincaid	297/411.31
5,547,253	A	8/1996	Schwartz et al.	
D373,344	S *	9/1996	Wissen, Jr.	D12/421
5,765,919	A	6/1998	Karlsson et al.	
6,164,725	A *	12/2000	Santa Cruz et al.	297/411.29

6,976,552	B1 *	12/2005	Kicker	180/219
D526,952	S *	8/2006	Stahel et al.	D12/411
7,111,903	B1 *	9/2006	Snelson	297/256.16
7,114,774	B2 *	10/2006	Stahel et al.	297/188.15
D555,047	S *	11/2007	Colbert et al.	D12/119
7,357,456	B1	4/2008	Freer et al.	

**OTHER PUBLICATIONS**

A&S BMW Motorcycles, "BMW Motorcycle Shopping Superstore", <http://www.ascycles.com/detail.aspx?ID 2001-2009>.  
BIGBIKETHINGS.COM, "Standard and Tourer Valkyrl Flip Up Armrest", <http://www.bigbikethings.com/armrests.html> Sep. 30, 2001.  
BIGBIKETHINGS.COM, "Top Quality Accessories", <http://www.bigbikethings.com/armrests2.html> Jan. 5, 2004.  
Ultimate Seatsca, "VTX Seats—Passenger Armrests", <http://ultimateseatsca.ca/vtxarmrest.html> 2003-2009.

\* cited by examiner

*Primary Examiner*—Philip S Hyder

*Assistant Examiner*—Linda G. Brooks

(74) *Attorney, Agent, or Firm*—Justin R. Jackson; Deborah A. Peacock; Peacock Myers, P.C.

(57) **CLAIM**

The ornamental design for a motorcycle armrest, as shown and described.

**DESCRIPTION**

FIG. 1 is a top view of a motorcycle armrest;

FIG. 2 is a bottom view thereof;

FIG. 3 is a front view thereof;

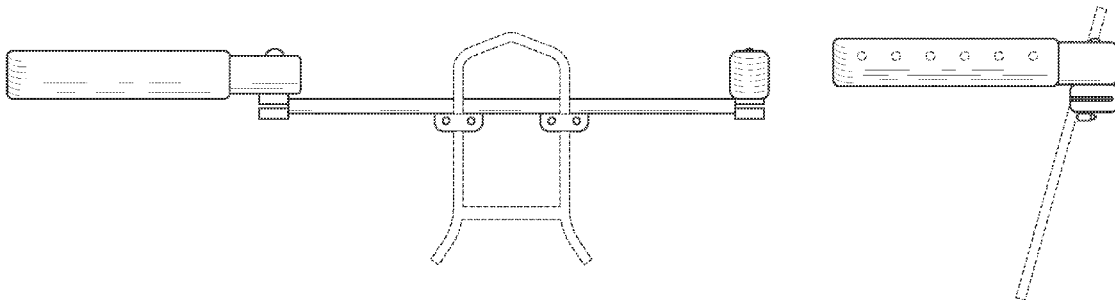
FIG. 4 is a back view thereof;

FIG. 5 is a right side view thereof; and,

FIG. 6 is a left side view thereof.

The dashed lines illustrate environmental structure that forms no part of the claimed design.

**1 Claim, 2 Drawing Sheets**



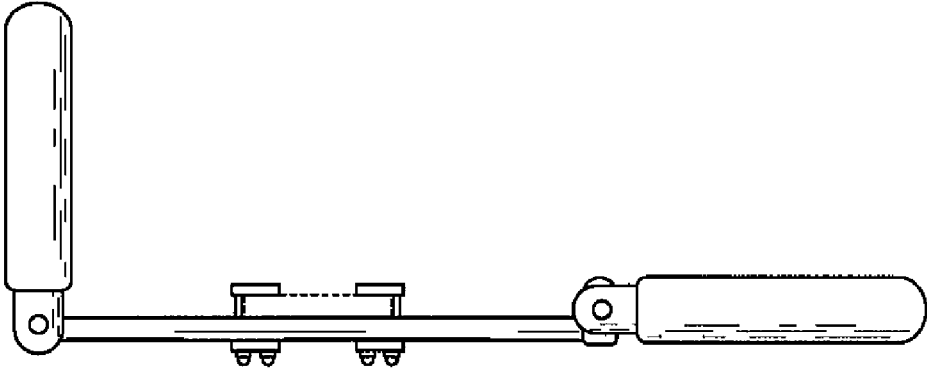


FIG. 1

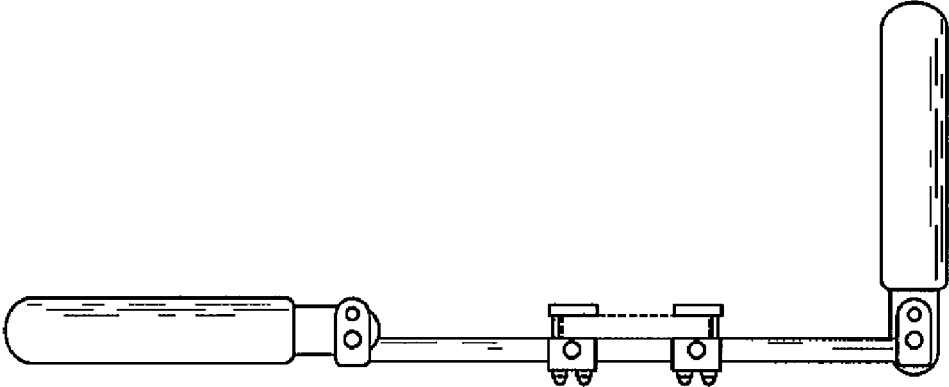


FIG. 2

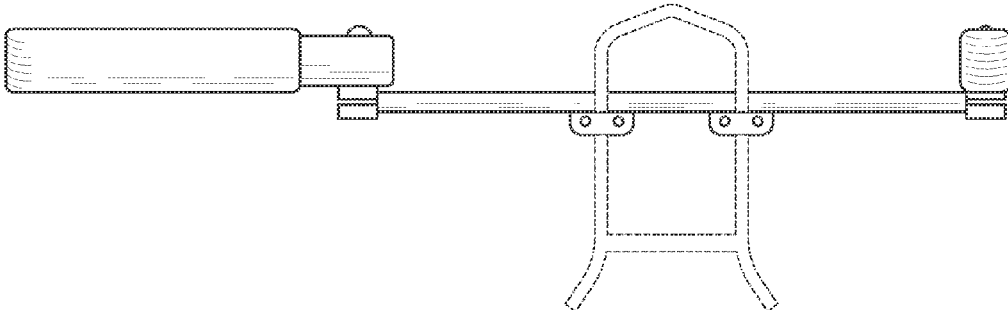


FIG. 3

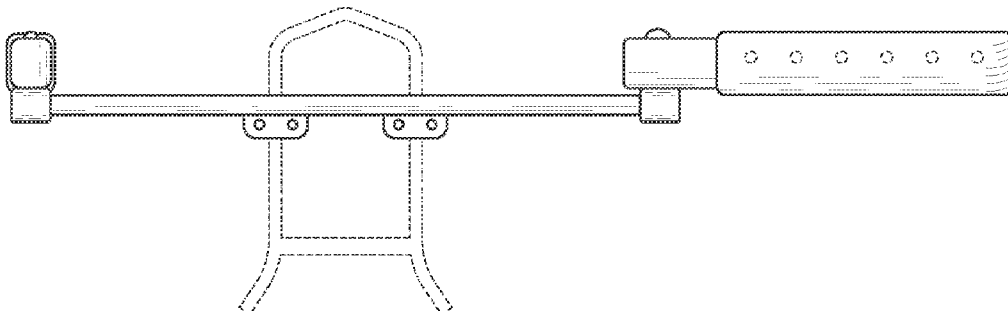


FIG. 4

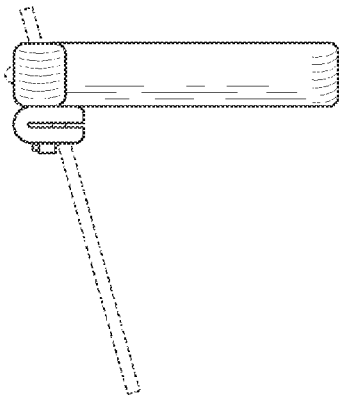


FIG. 5

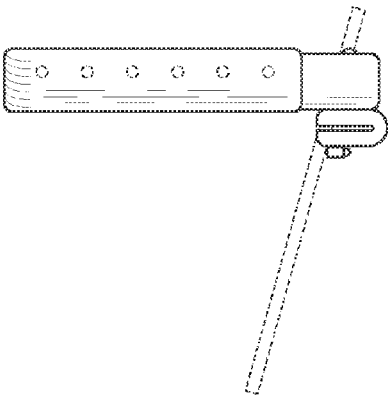


FIG. 6