



US00D607092S

(12) **United States Design Patent**
Cahill et al.

(10) **Patent No.:** **US D607,092 S**

(45) **Date of Patent:** **** Dec. 29, 2009**

(54) **LAVATORY SYSTEM**

D492,015 S * 6/2004 Kergoet D23/293.1
D532,877 S * 11/2006 Hisey D23/304

(75) Inventors: **Michael Cahill**, Santa Fe, NM (US);
Michael Zimmer, Santa Fe, NM (US)

* cited by examiner

(73) Assignee: **Stone Forest, Inc.**, Santa Fe, NM (US)

Primary Examiner—Robert A Delehanty
(74) *Attorney, Agent, or Firm*—Janeen Vilven; Peacock
Myers, P.C.

(**) Term: **14 Years**

(21) Appl. No.: **29/335,211**

(57) **CLAIM**

(22) Filed: **Apr. 10, 2009**

The ornamental design for the lavatory system, as shown and described.

(51) **LOC (9) Cl.** **23-02**

(52) **U.S. Cl.** **D23/284**

(58) **Field of Classification Search** D23/284–287,
D23/290–293.1, 308; 4/619, 637, 639–640,
4/642

DESCRIPTION

See application file for complete search history.

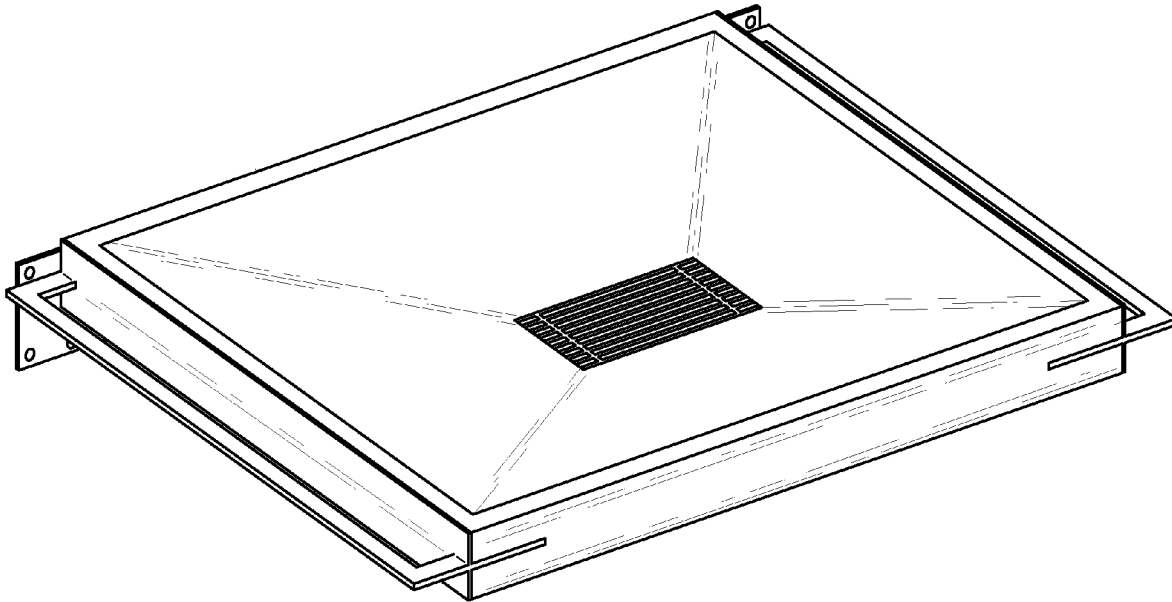
FIG. 1 is a perspective view of the claimed design;
FIG. 2 is a bottom perspective view of the claimed design;
FIG. 3 is a top view of the claimed design;
FIG. 4 is a bottom view of the claimed design;
FIG. 5 is a front view of the claimed design;
FIG. 6 is a back view of the claimed design; and,
FIG. 7 is a right side view of the claimed design with the left
side being the same.

(56) **References Cited**

U.S. PATENT DOCUMENTS

456,067 A * 7/1891 Seymour 4/637
2,035,000 A * 3/1936 Swain 4/642
D472,966 S * 4/2003 Molinaro D23/308
D473,293 S * 4/2003 Piatt D23/293.1

1 Claim, 4 Drawing Sheets



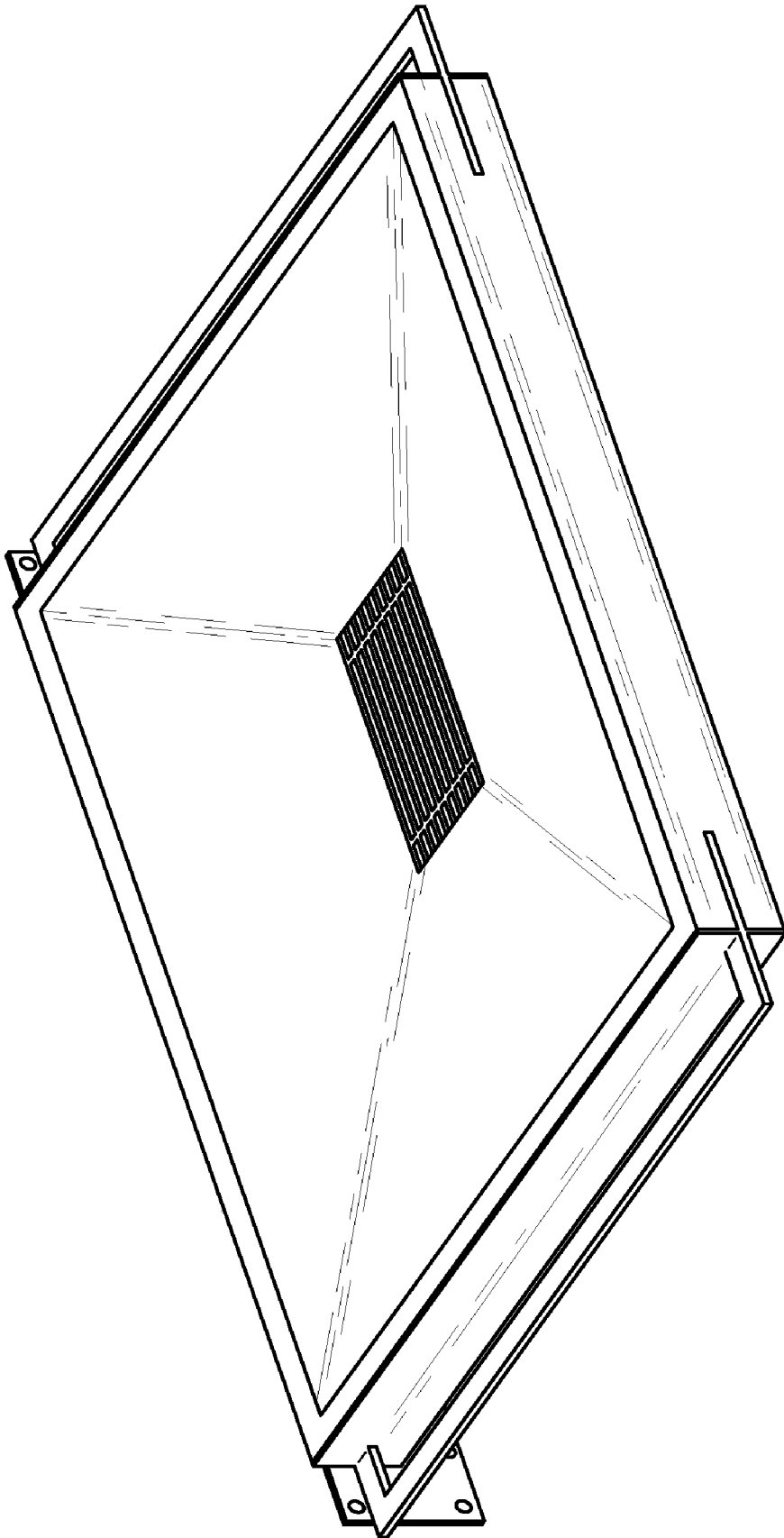


FIG. 1

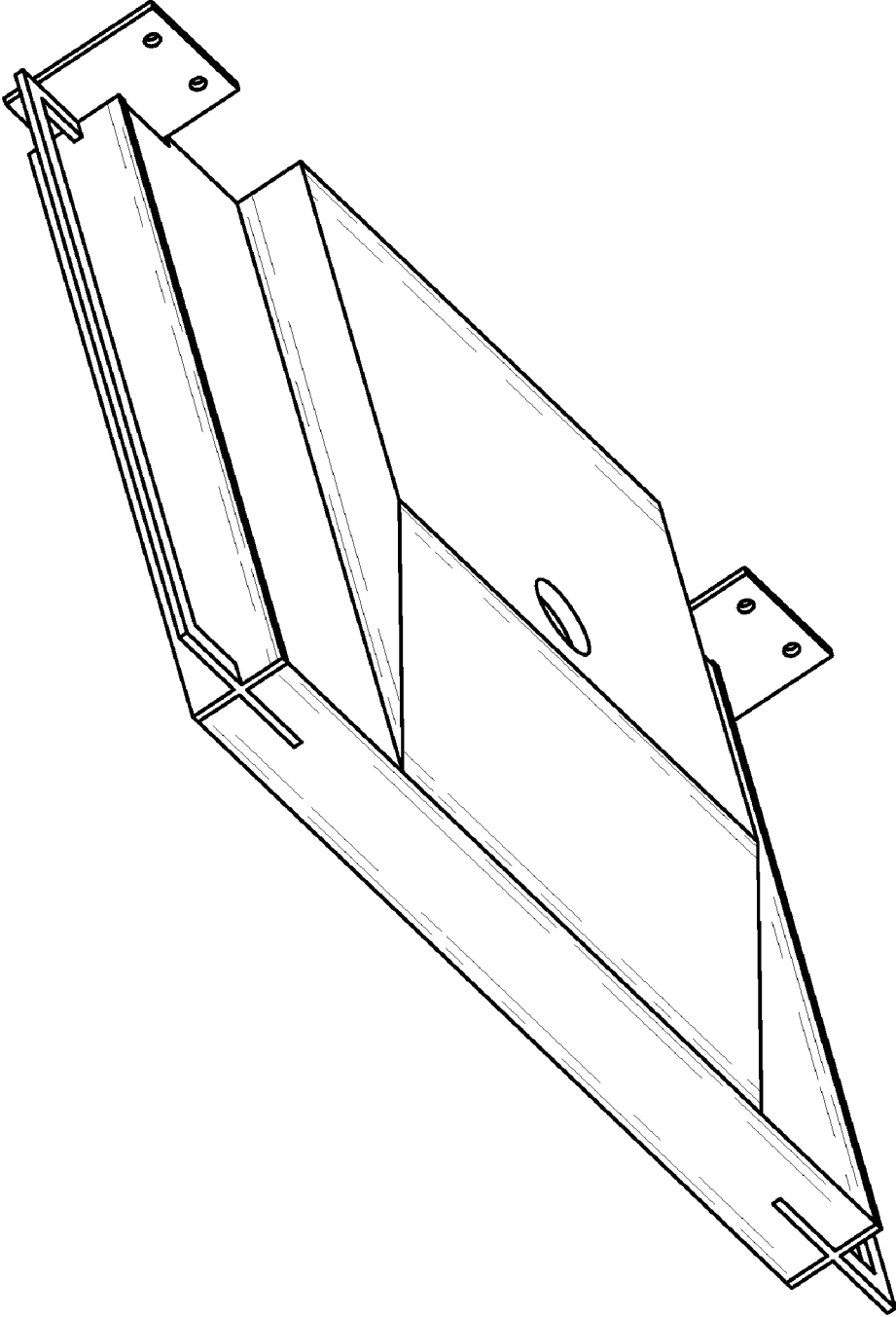


FIG. 2

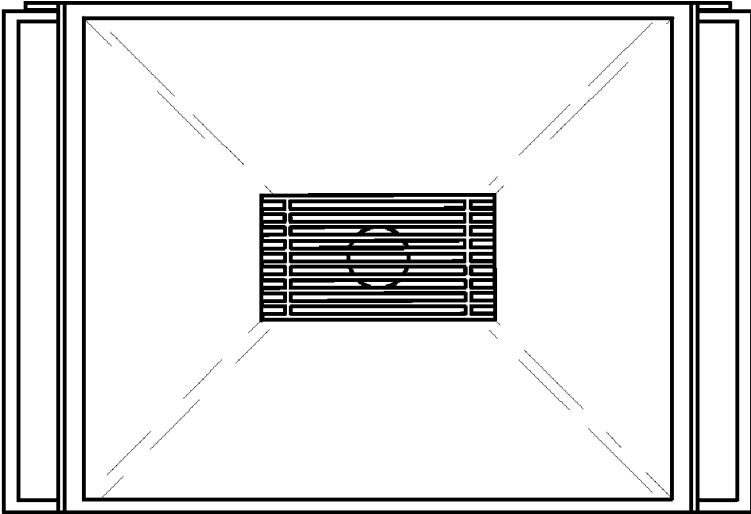


FIG. 3

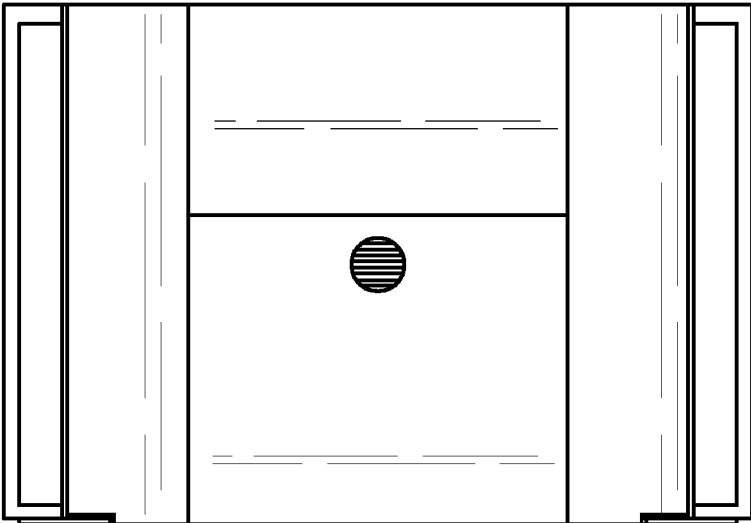


FIG. 4



FIG. 5

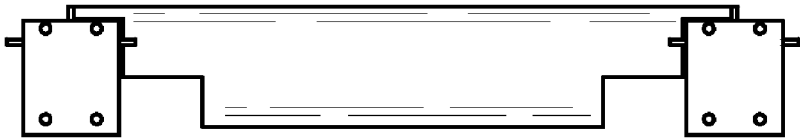


FIG. 6

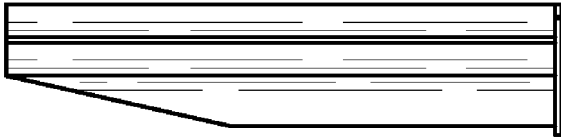


FIG. 7