



US00D498341S

(12) **United States Design Patent** (10) **Patent No.:** **US D498,341 S**
Baker (45) **Date of Patent:** **** Nov. 16, 2004**

(54) **CANDY BRUSH AND CONFECTIONERY CONTAINER SET**

- (76) Inventor: **Brad Baker**, 888 Garden of the Gods Rd., Colorado Springs, CO (US) 80907
- (**) Term: **14 Years**
- (21) Appl. No.: **29/170,527**
- (22) Filed: **Nov. 6, 2002**

Related U.S. Application Data

- (63) Continuation-in-part of application No. 09/607,313, filed on Jun. 28, 2000, which is a continuation of application No. PCT/US99/28550, filed on Dec. 2, 1999.
- (60) Provisional application No. 60/110,675, filed on Dec. 2, 1998.
- (51) **LOC (7) Cl.** **01-01**
- (52) **U.S. Cl.** **D1/102; D1/101; D4/116**
- (58) **Field of Search** **D1/106, 102, 101, D1/104, 122, 127; D4/116, 132, 135, 138, 199; D7/690; D28/20; 211/65-66; 220/695-697; D9/338, 531; 248/110, 213.2, 112; 426/110-112, 104, 120, 134, 91; 15/143.1, 144.3, 191.1, 146, 246, 71**

References Cited

U.S. PATENT DOCUMENTS

D16,030 S	4/1885	Schwarzschild et al.
D62,611 S	7/1923	Hochstraser
1,718,997 A	7/1929	Burt
1,889,882 A	12/1932	Woods
D92,473 S	6/1934	Keller
1,983,685 A	12/1934	Townsley
2,281,267 A	4/1942	Chapman
2,647,681 A	8/1953	Paoli
D177,206 S	3/1956	Babcock
2,824,010 A	2/1958	Pedersen
2,832,981 A	5/1958	Breuhan
2,988,768 A *	6/1961	Hill 401/124
3,312,555 A	4/1967	Rossi et al.
3,386,792 A	6/1968	Ireland
3,413,128 A	11/1968	Steinbarth et al.
3,431,041 A	3/1969	Fontlladosa
3,840,678 A	10/1974	Price

(List continued on next page.)

OTHER PUBLICATIONS

Paint Pop candy wrapper, B.I.P. Holland B.V., The Netherlands, undated.
 TM: Paint Brush, U.S. Reg. No. 2,292,861 (typed drawing) to Foreign Candy Company, Inc. (Nov. 16, 1999).
 TM: Paint Brush Lollipops, U.S. Reg. No. 2,374,485 (typed drawing) to Foreign Candy Company, Inc. (Aug. 8, 2000).
 TM: Baby Bottle Pop, U.S. Reg. No. 2,554,171 (typed drawing) to Topps Company, Inc.

Primary Examiner—Pamela Burgess

(74) *Attorney, Agent, or Firm*—Deborah A. Peacock

(57) **CLAIM**

The ornamental design for a candy brush and confectionery container set, as shown and described.

DESCRIPTION

© 2000 Impact Confections, Inc. A portion of the disclosure of this patent document contains material that is subjected to copyright protection. The copyright owner has no objection to the facsimile reproduction by anyone of the patent document or the patent disclosure, as it appears in the Patent and Trademark Office patent file or records, but otherwise reserves all copyrights whatsoever.

This application is related to U.S. Design Patent Applications entitled “Candy Brush Confectionery Product,” given Serial No. 29/170,526; and “Combined Candy Brush and Container,” given Serial No. 29/170,521; both of which are filed concurrently on even date herewith, Nov. 6, 2002.

FIG. 1 is a perspective view of a candy brush and confectionery container set showing my new design, it is understood that the lid to the container element is broken away for clarity of disclosure;

FIG. 2 is a side elevational view thereof with the lid attached to the container, the opposite side being a mirror image;

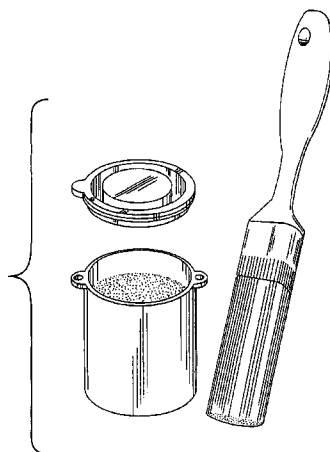
FIG. 3 is a front elevational view thereof;

FIG. 4 is a rear elevational view thereof;

FIG. 5 is a top plan view thereof; and,

FIG. 6 is a bottom plan view thereof.

1 Claim, 5 Drawing Sheets



US D498,341 S

Page 2

U.S. PATENT DOCUMENTS

4,061,783 A	12/1977	Hoffman et al.	5,304,055 A	4/1994	Van Lengerich et al.
D264,038 S	4/1982	Guttman	D347,146 S	5/1994	Harrison
D264,169 S	5/1982	Guttman	5,370,884 A	12/1994	Coleman
D264,297 S	5/1982	Kupperman et al.	5,380,539 A	1/1995	Spector
D264,298 S	5/1982	Guttman	5,451,176 A	9/1995	Beltman
4,335,147 A	6/1982	Sollich	5,545,069 A	8/1996	Glynn et al.
D269,559 S	7/1983	Sellares	5,634,885 A	6/1997	Kiro
4,436,217 A *	3/1984	Ritter 220/736	5,676,988 A	10/1997	Coleman et al.
4,471,507 A	9/1984	Schwartz	5,683,762 A	11/1997	Banschick
4,547,926 A	10/1985	Kern	5,689,581 A *	11/1997	Nakao et al. 382/156
4,600,592 A	7/1986	Dobis	5,701,629 A	12/1997	O'Brien
D299,522 S	1/1989	Parker	5,718,931 A	2/1998	Walter et al.
4,902,519 A	2/1990	Ream et al.	5,758,802 A	6/1998	Wallays
4,935,189 A	6/1990	Mochizuki et al.	5,820,090 A *	10/1998	Nickels 248/213.2
5,077,050 A	12/1991	Wall	5,960,946 A	10/1999	Gramlich
5,218,733 A	6/1993	Leu	5,993,870 A *	11/1999	Hoeting et al. 426/110

* cited by examiner

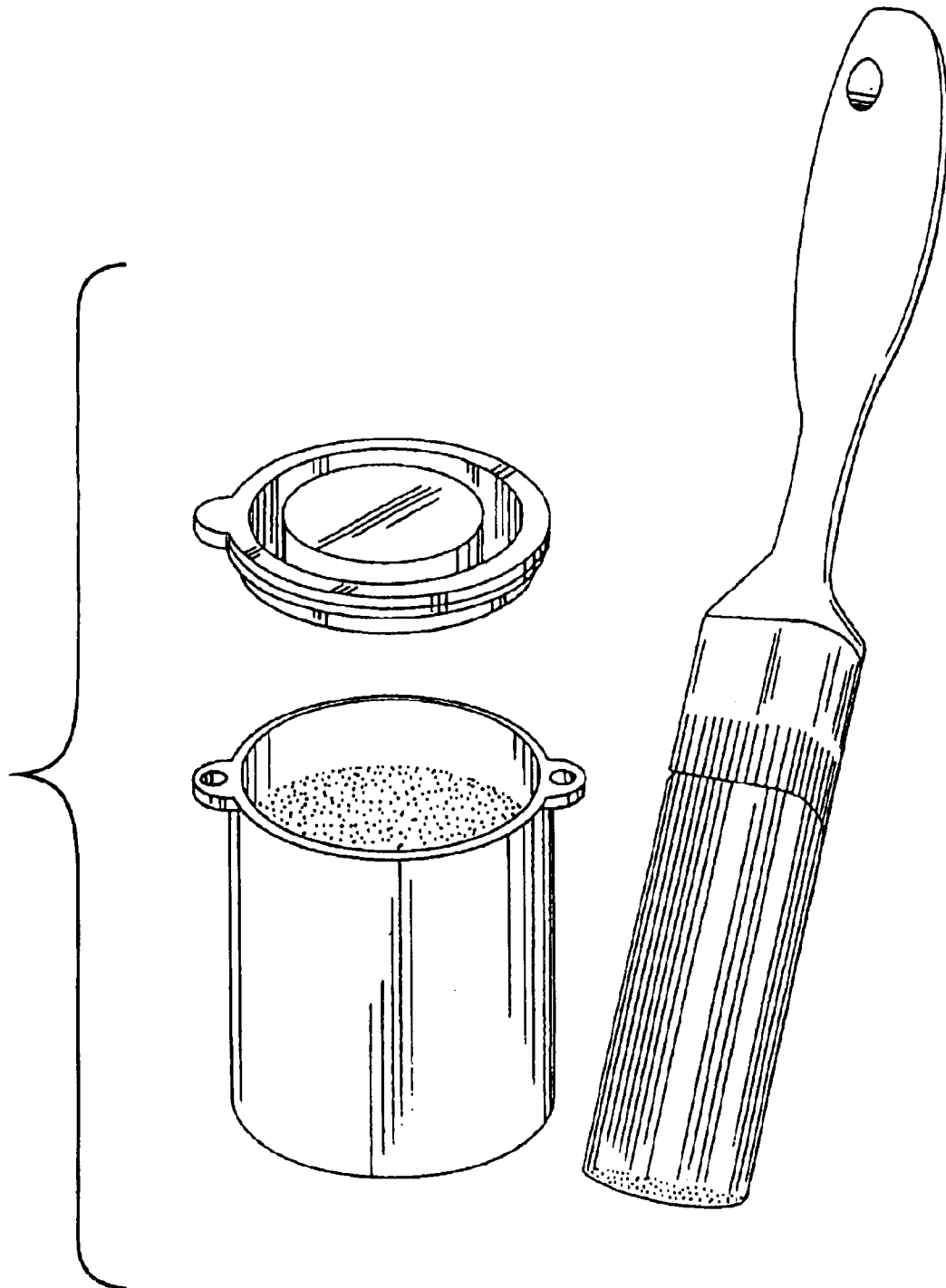


FIG-1

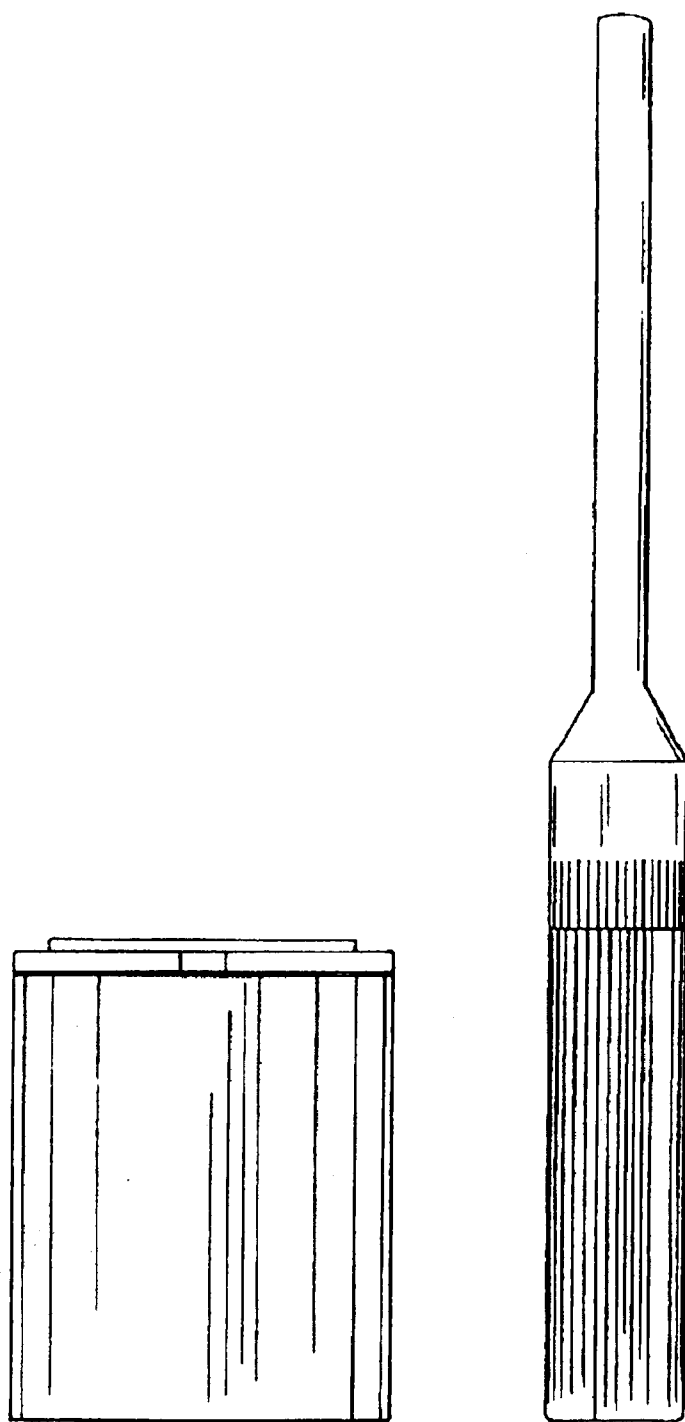


FIG-2

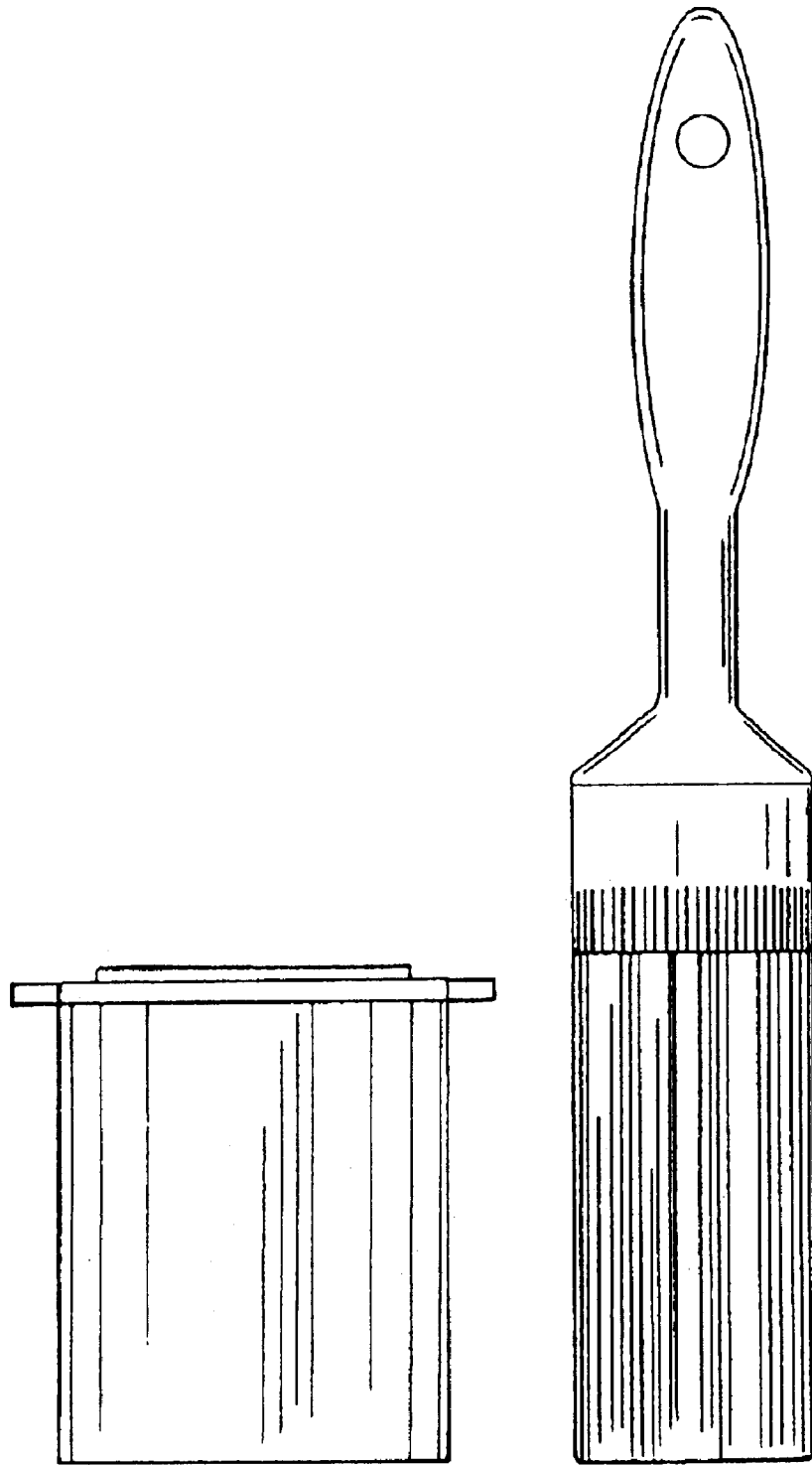


FIG-3

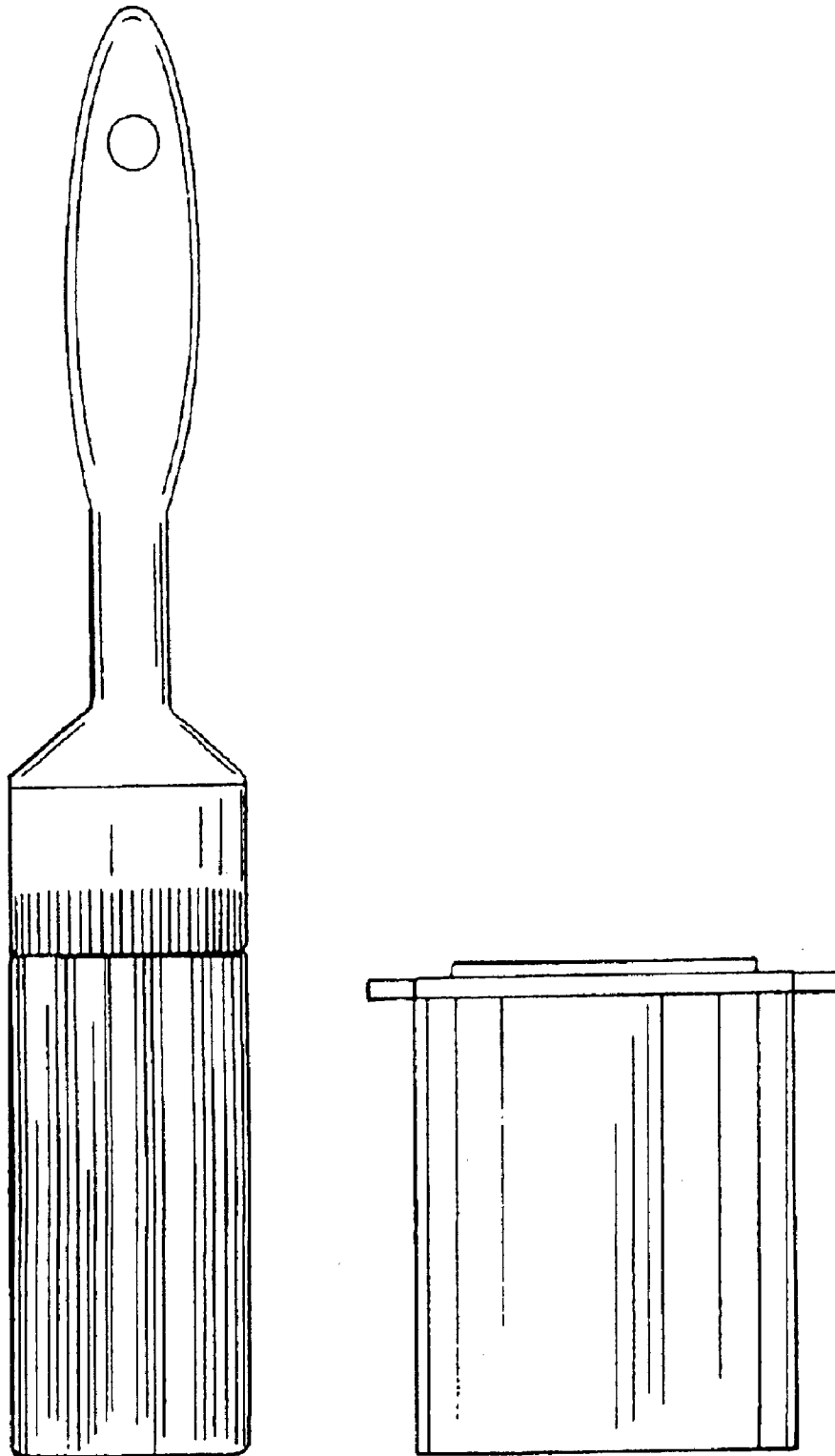


FIG-4

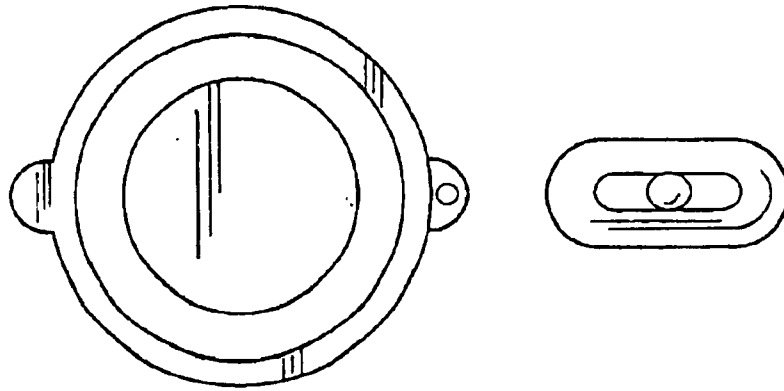


FIG-5

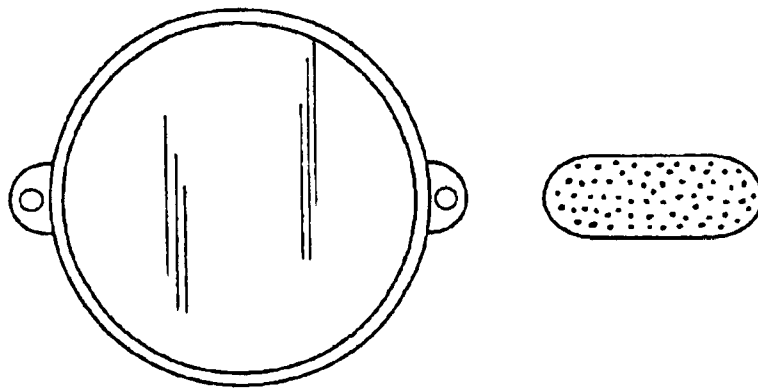


FIG-6