



US00D487425S

(12) **United States Design Patent**  
**Dam**

(10) **Patent No.:** **US D487,425 S**

(45) **Date of Patent:** **\*\* Mar. 9, 2004**

(54) **STABILIZING TREMOLO TRANSFORMER**

(75) Inventor: **Marcel Dam**, Opmeer (NL)

(73) Assignee: **Dirckson C.V.**, Opmeer (NL)

(\*\*) Term: **14 Years**

(21) Appl. No.: **29/171,048**

(22) Filed: **Nov. 14, 2002**

(30) **Foreign Application Priority Data**

May 31, 2002 (WO) ..... DM/061038

(51) **LOC (7) Cl.** ..... **13-02**

(52) **U.S. Cl.** ..... **D13/110**

(58) **Field of Search** ..... D13/110; 336/160;  
323/308

(56) **References Cited**

**U.S. PATENT DOCUMENTS**

4,546,306 A \* 10/1985 Alba et al. .... 323/308  
4,549,130 A \* 10/1985 Dobberstein ..... 323/308

\* cited by examiner

*Primary Examiner*—Holly Baynham

(74) *Attorney, Agent, or Firm*—Jeffrey D. Myers

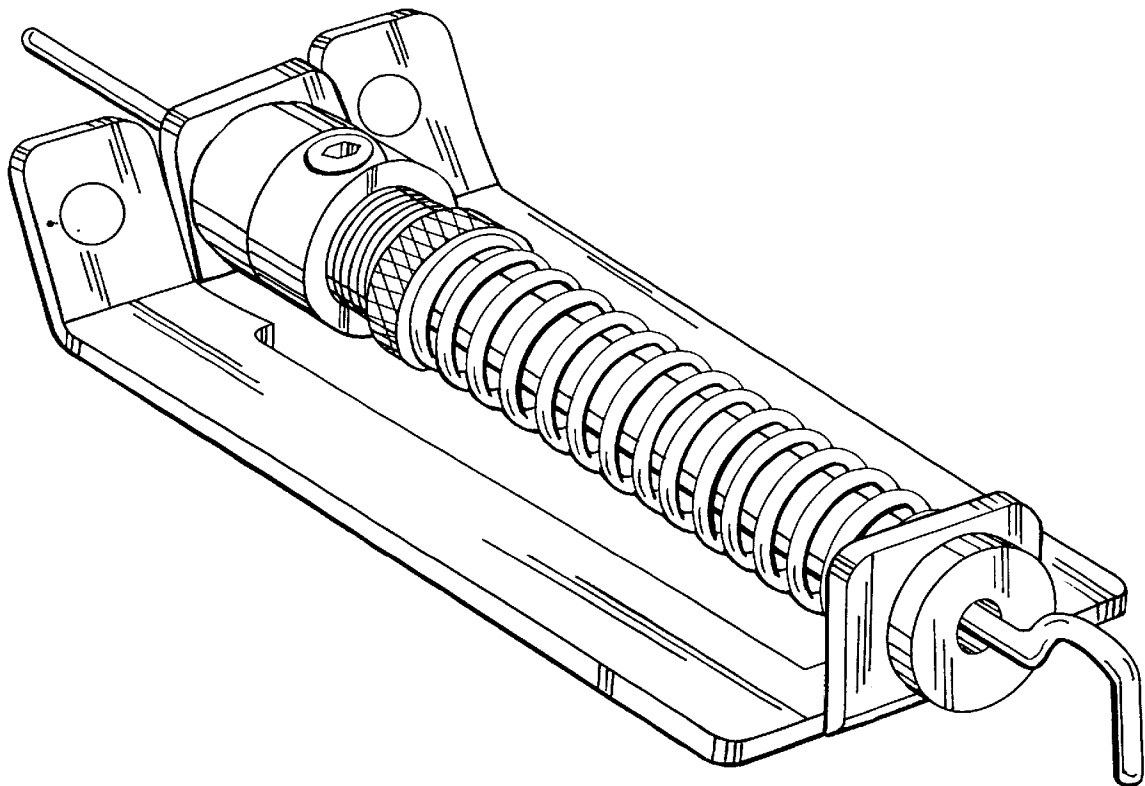
(57) **CLAIM**

The ornamental design for a stabilizing tremolo transformer, as shown.

**DESCRIPTION**

FIG. 1 is a front perspective view of the stabilizing tremolo transformer embodying my new design; FIG. 2 is a rear perspective view of the stabilizing tremolo transformer embodying my new design; FIG. 3 is a side view of the stabilizing tremolo transformer embodying my new design; FIG. 4 is a top view of the stabilizing tremolo transformer embodying my new design; FIG. 5 is a bottom view of the stabilizing tremolo transformer embodying my new design; FIG. 6 is a front end view of the stabilizing tremolo transformer embodying my new design; and, FIG. 7 is a rear end view of the stabilizing tremolo transformer embodying my new design.

**1 Claim, 7 Drawing Sheets**



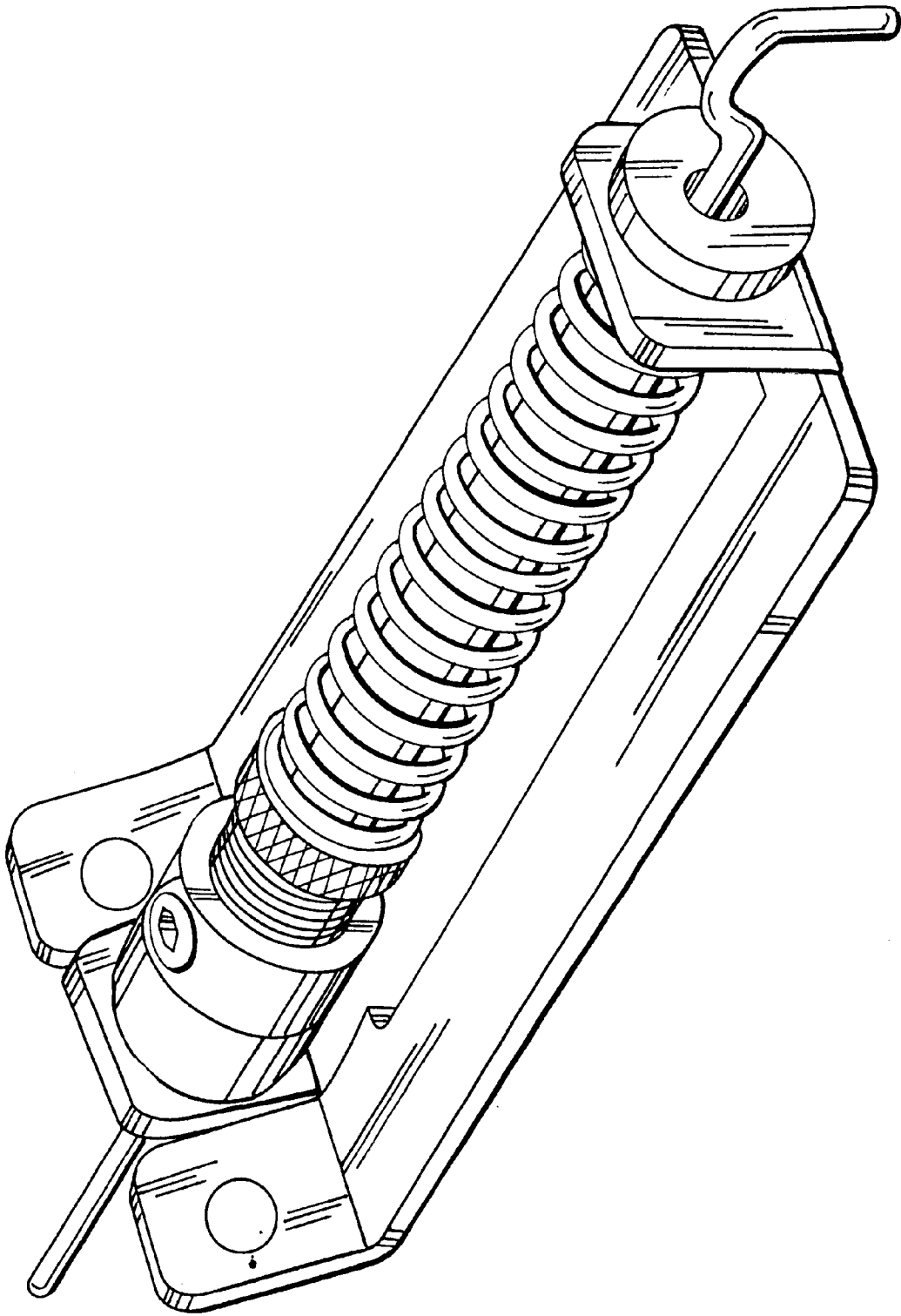


FIG-1

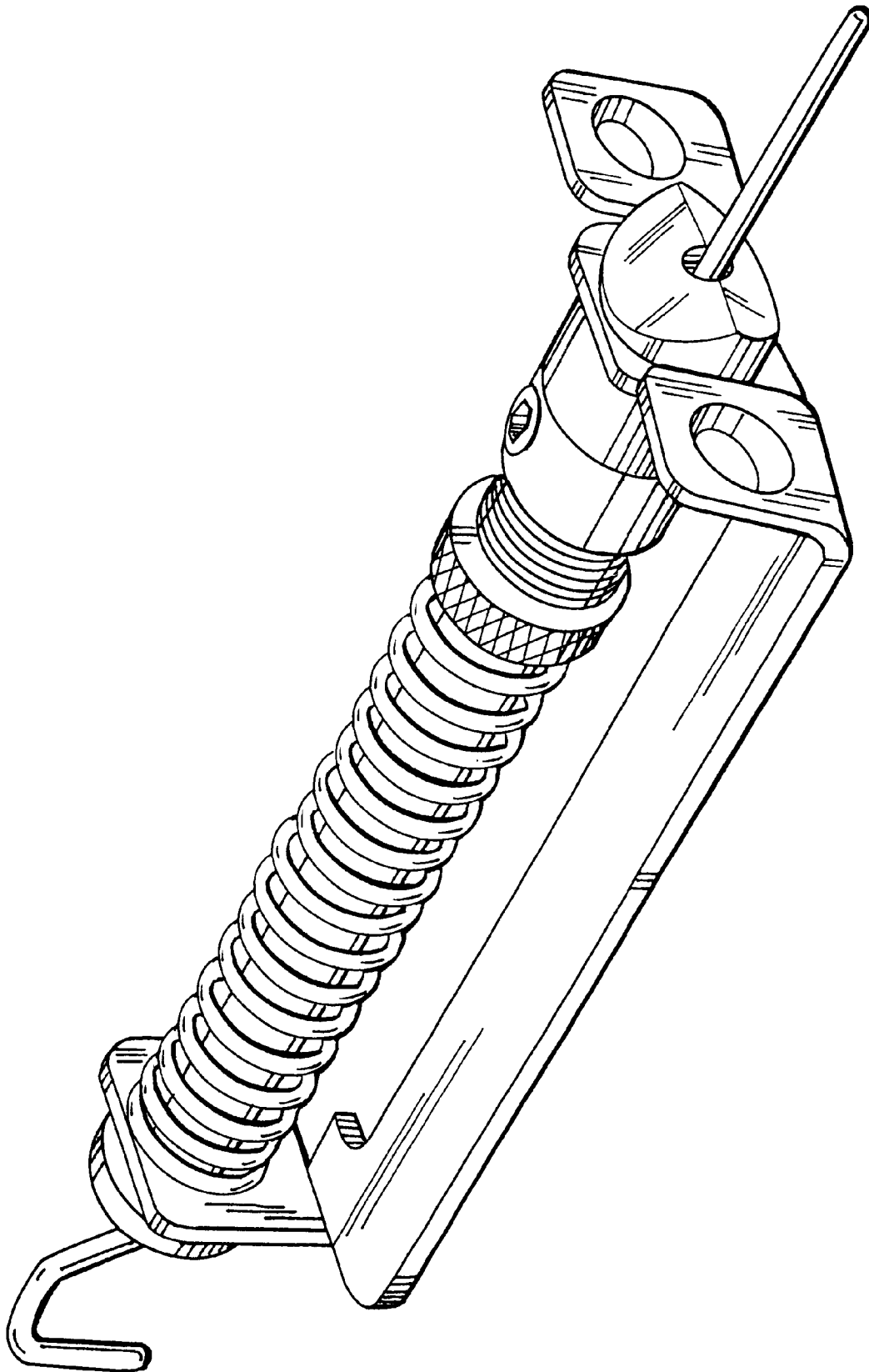


FIG-2

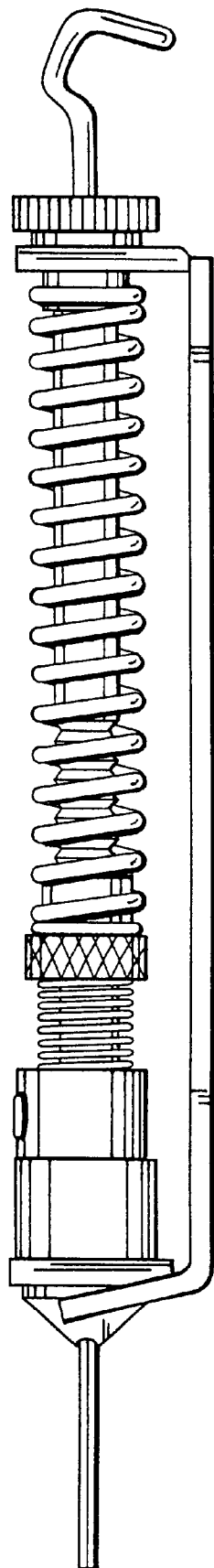


FIG-3

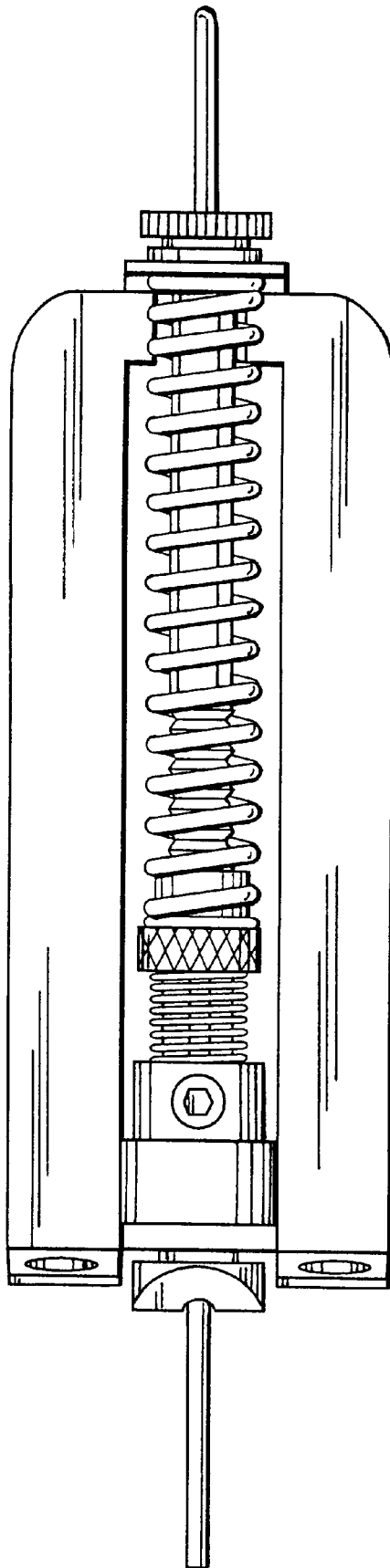


FIG-4

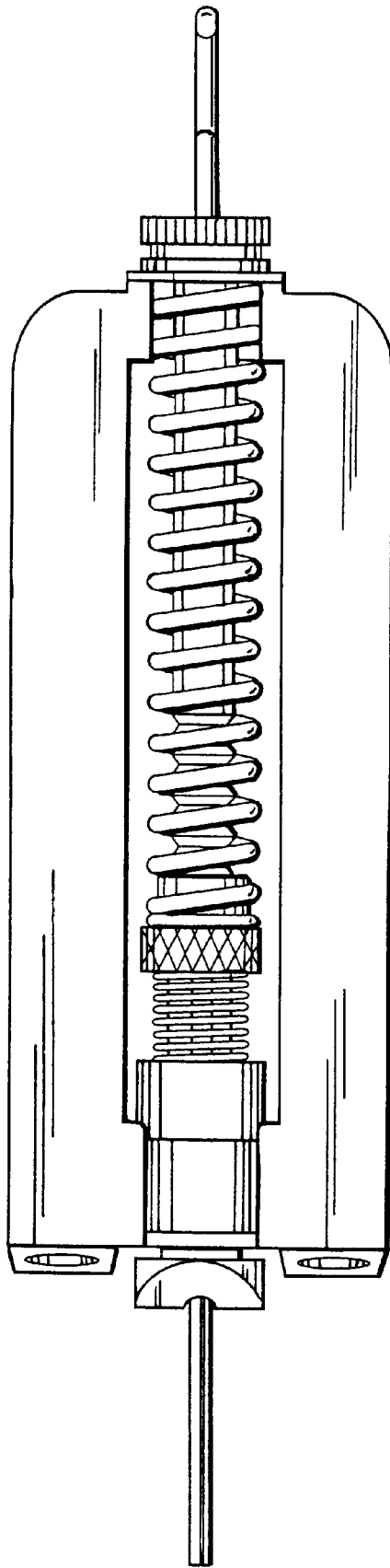


FIG-5

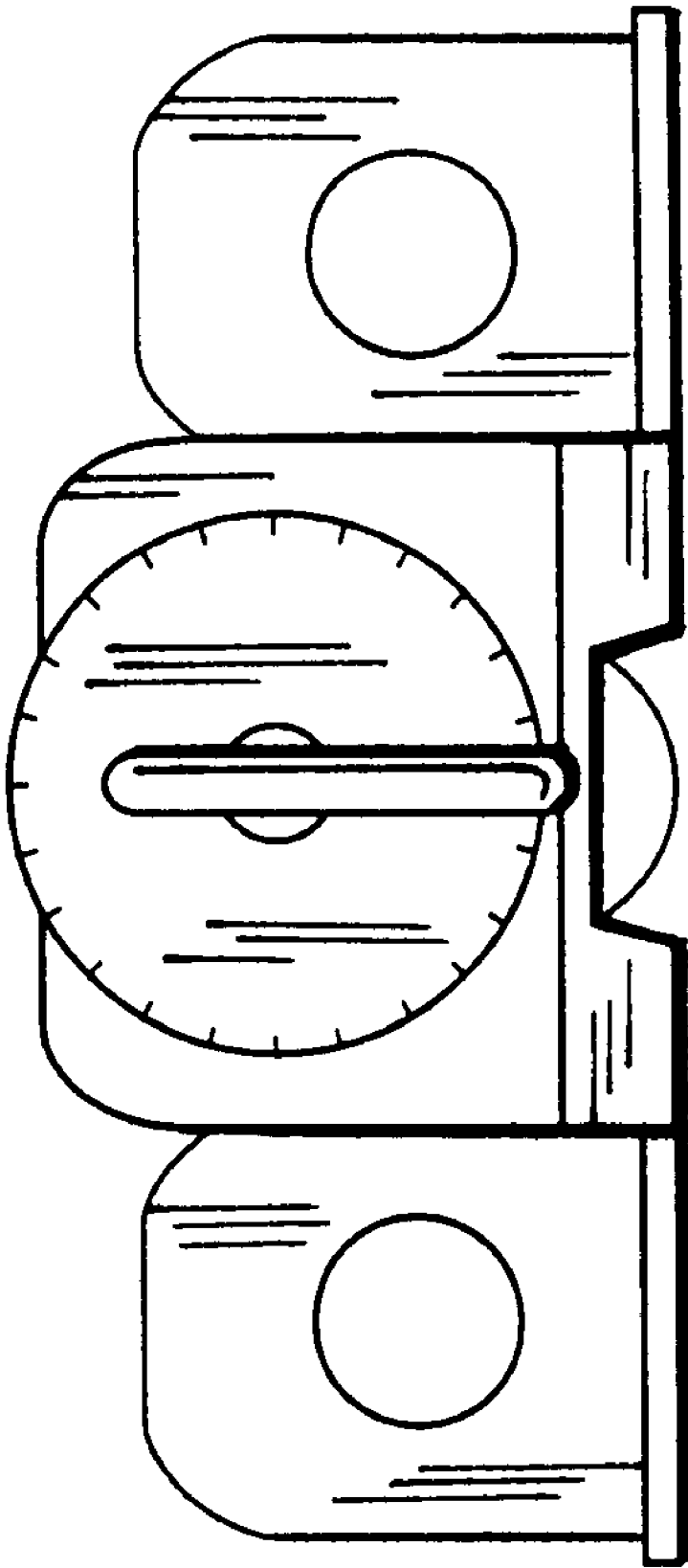


FIG-6

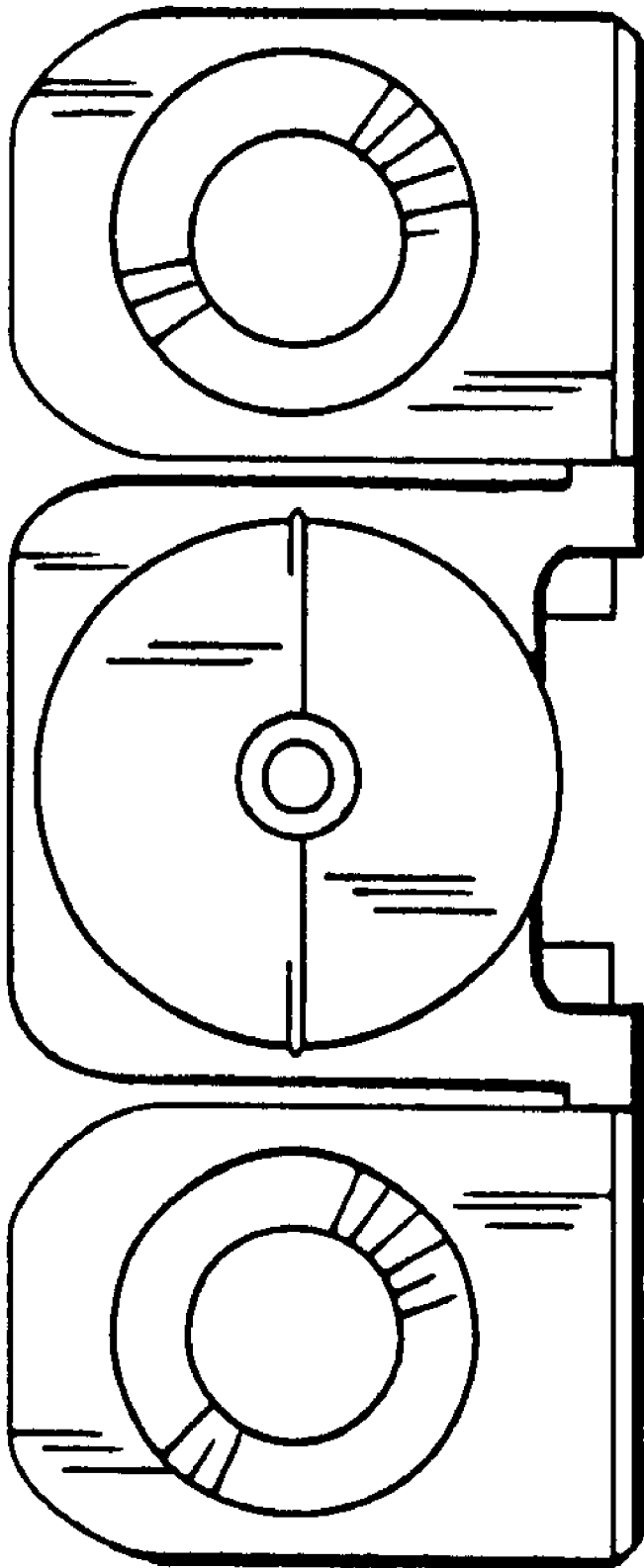


FIG-7